

# LED Short Arm Work Light M1

## Introduction:

Anodized aluminum and tempered glass, resistant to corrosion and high temperature.

IP65 waterproof, suitable for variety of environment.

High efficiency LED chip with PMMA lens, high lumen output and lighting evenness.

Arms with flexible joints, convenient to control lighting direction.

Variety of input voltages optional to fit different applications, AC220 50/60Hz, AC/DC12V, AC/DC24V.

## Application:

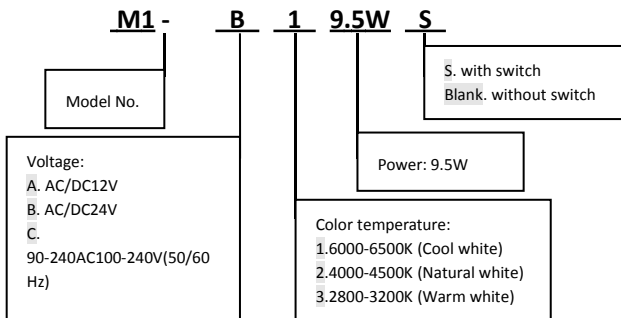
CNC machine work: engraving machine, EDM machine etc.  
 Assembly and repair work.  
 Laboratories.

**Warranty:** 2 years

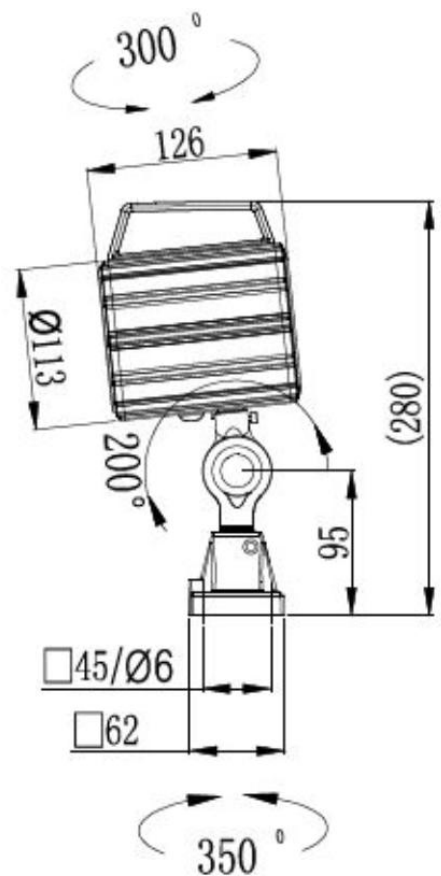
**Certification:** CE, RoHS, TUV, FCC



## Ordering code:



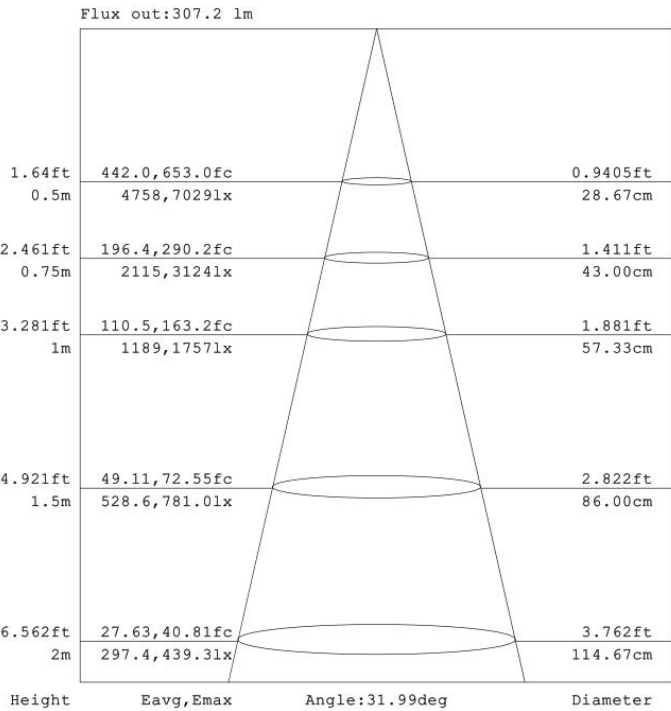
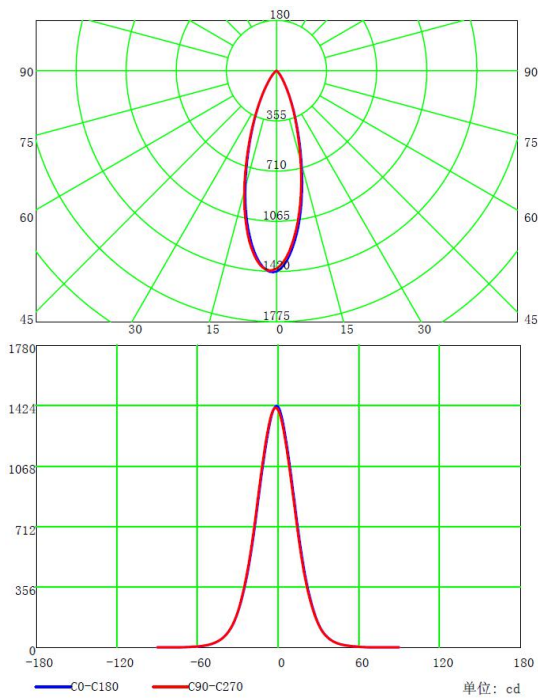
## Dimension(mm):



## Parameter:

Power	9.5W
Input voltage	AC100-240V, AC/DC24V, AC/DC12V
Lumen output(Efficiency)	830lm (87lm/w)
CRI	>80
IP rating	IP65
Beam angle	45 deg
Color temperature	2800-3200K, 4000-4500K, 6000-6500K
Material	Aluminum housing , PMMA lens , PA+15%GF base
Lifetime	50,000 hours
Working temperature/ humidity	-20~45℃ / 10%-90%
Storage temperature/ humidity	-40~60℃ / 10%-90%
Installation	Fixed by screws

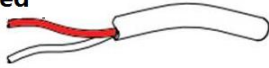
## Light distribution data



## Wire connection:

### DC12/24V Cable

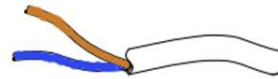
Positive(+): Red



Negative(-): White

### 220V cable

L: brown



N: Blue

## Package info (M2 with standard arm length)

Qty/carton	12pcs/carton
Carton Size	L460*W400*H355mm
Net Weight	12kg
Gross Weight	14.5kg

