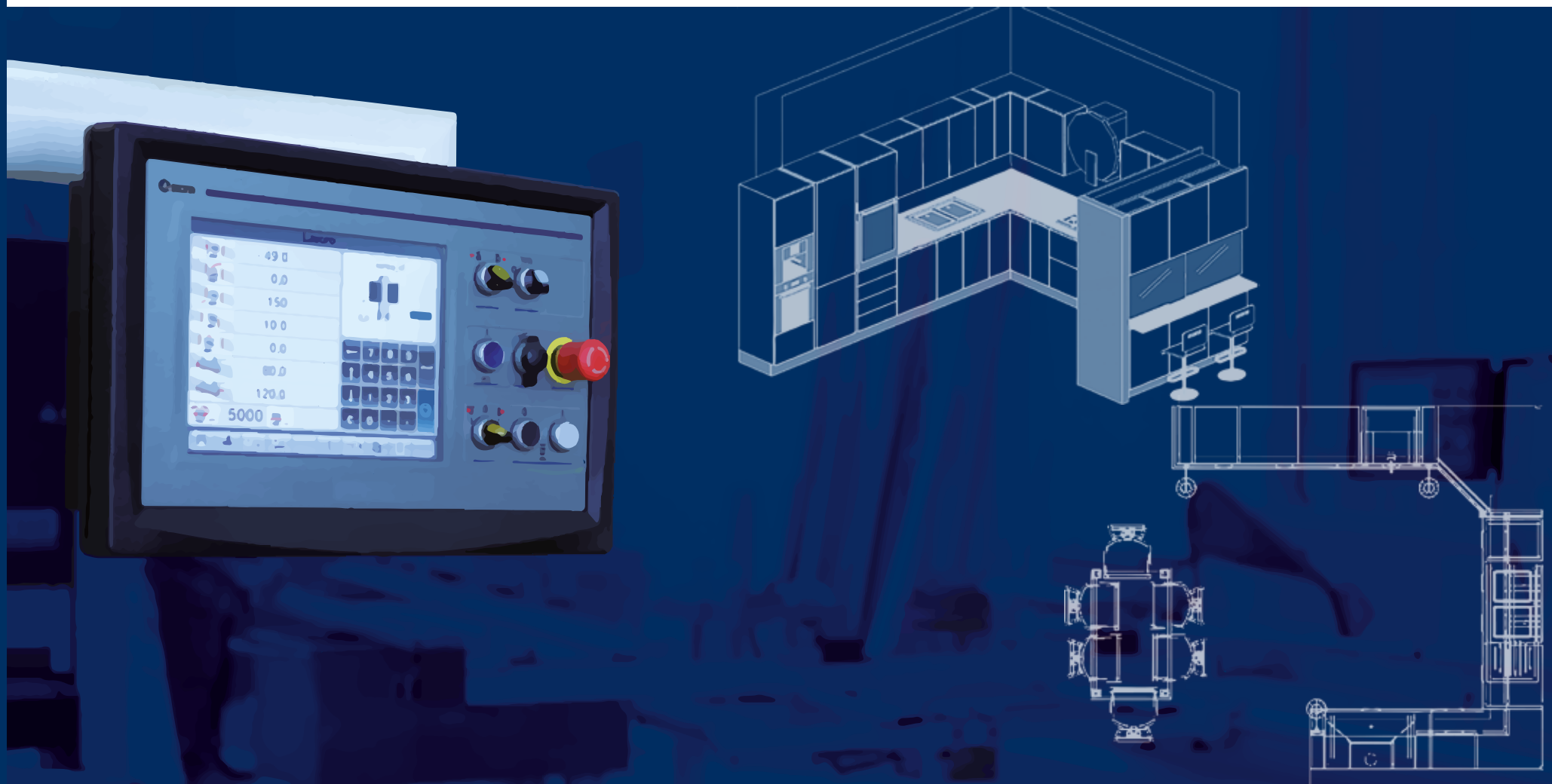
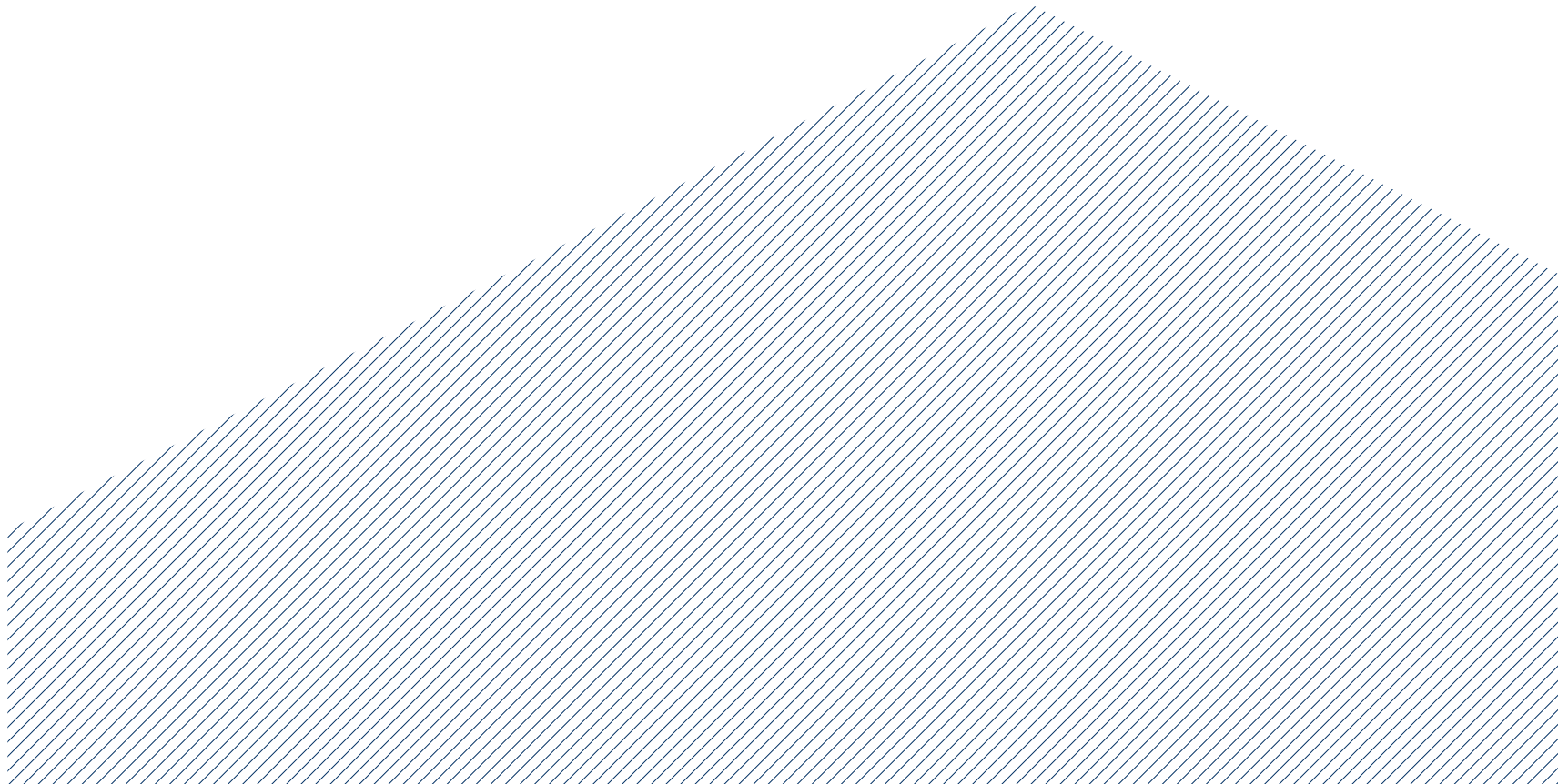


nova class profiset startech

Four complete machines lines for the advanced joinery









All "Made in SCM Italy"
From casting iron to finished product.

Come see our production plants and touch the quality of SCM machines; you will be our guest.



nova class profiset startech lines

The widest range of machines
for the advanced joinery

SCM's objective is to guarantee customers high quality technologies which meet their requirements in such a way as to make SCM the partner for any needs.

circular
saws
6/25

programmable /8



manual /10



planers
26/41

surface
planers /28



thickening
planers /30



spindle moulders
42/57

electronically programmable /44



drilling machines
58/69

semi-automatic /60



automatic planers and throughfeed moulders
70/81

planers and
throughfeed
moulders /72



automatic multiblade rip saw
82/87





surfacing-thicknessing
planers /32



manual /46



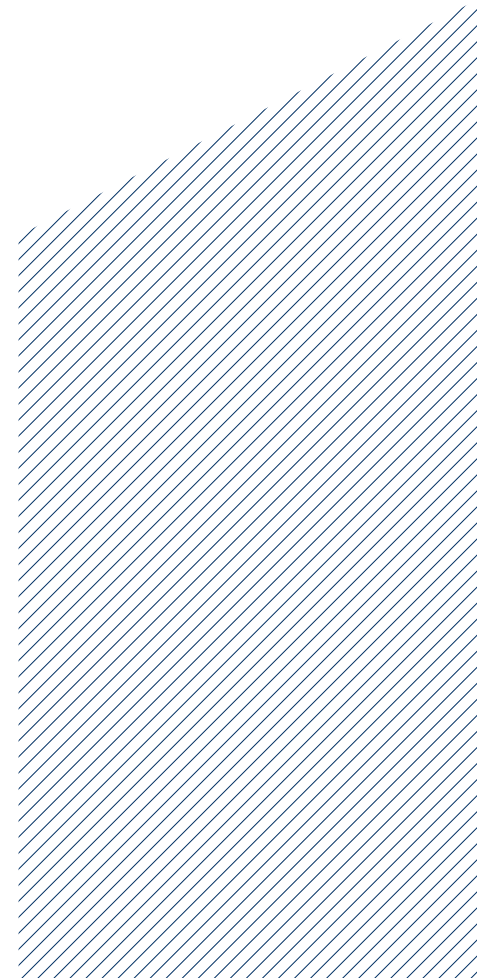
manual /64



planers /74



tenoning machine
88/93





circular saws

programmable
circular saws
class si 550ep
class si 400ep
nova si 400ep

manual
circular saws
class si 400
class si 350
class si 300
nova si 400
nova si 300
nova si 300s

The widest range of circular saws offering the market the latest and advanced technological solutions that different types of production urgently requires.

class

The best solution
for every application.

nova

Guaranteed quality
at your fingertips.



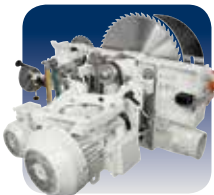
programmable
 circular saws
 class si 550ep
 class si 400ep
 nova si 400ep



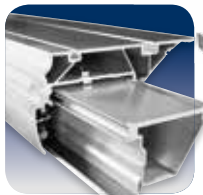
		class si 550ep	class si 400ep	nova si 400ep
Max. saw blade diameter with installed scoring unit	mm	550*	400	400
Max. saw blade projection from the table at 90°/45°	mm	200/130	140/97	140/97
Saw blade rotating speed	rpm	2500/3500/5000	3000/4000/5000	3000/4000/5000
Squaring stroke	mm	2200 ÷ 3800	2200 ÷ 3800	3200 ÷ 3800
Cutting width on rip fence	mm	1000 ÷ 1500	1000 ÷ 1500	1000 ÷ 1500
Three-phase motors starting from	kW/Hz	7 (8) / 50 (60)	7 (8) / 50 (60)	7 (8) / 50 (60)

Find the complete technical specification at page 18

* The machine isn't equipped with scoring unit



Saw Unit
sturdy structure



Sliding Carriage
high cutting quality



Rip Fence
smoothness and precision



Electronic Control
precision and ease-of-use

Superior technology combined with an ease of use.

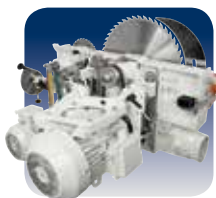


manual
circular saws
class si 400
class si 350
class si 300

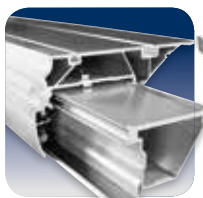


		class si 400	class si 350	class si 300
Max. saw blade diameter with installed scoring unit	mm	400	350	315
Max. saw blade projection from the table at 90°/45°	mm	140/97	118/81	100/70
Saw blade rotating speed	rpm	3000/4000/5000	4000	4000
Squaring stroke	mm	2200 ÷ 3800	2200 ÷ 3800	2200 ÷ 3800
Cutting width on rip fence	mm	1000 ÷ 1500	1000 ÷ 1500	1000 ÷ 1500
Three-phase motors starting from	kW/Hz	7 (8) / 50 (60)	7 (8) / 50 (60)	5 (6) / 50 (60)

Find the complete technical specification at page 18



Saw Unit
sturdy structure



Sliding Carriage
high cutting quality



Rip Fence
smoothness and precision

High construction quality for reliability and safe performance.



manual
circular saw
nova si 400
nova si 300
nova si 300s

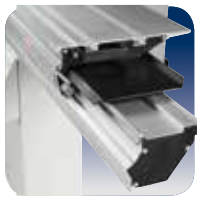


		nova si 400	nova si 300	nova si 300s
Max. saw blade diameter with installed scoring unit	mm	400	315	315 ÷ 400
Max. saw blade projection from the table at 90°/45°	mm	140/97	100/70	100/70 (with 315 mm blade) 140/97 (with 400 mm blade)
Saw blade rotating speed	rpm	3700	4000	4000 (with 315 mm blade) 3700 (with 400 mm blade)
Squaring stroke	mm	3200 ÷ 3800	3200 ÷ 3800	1600
Cutting width on rip fence	mm	1000 ÷ 1500	1000 ÷ 1500	1000 ÷ 1500
Three-phase motors starting from	kW/Hz	7 (8) / 50 (60)	5 (6) / 50 (60)	5 (6) / 50 (60) (with 315 mm blade) 7 (8) / 50 (60) (with 400 mm blade)

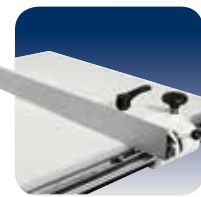
Find the complete technical specification at page 18



Saw Unit
sturdy structure



Sliding Carriage
high cutting quality



Rip Fence
smoothness and precision

Essential configuration with complete equipment to carry out professional machining.

circular saws operating groups



sturdy structure

Saw unit

The saw blade lifting is carried out by a strong cast-iron structure with sliding on ground round slideways which guarantee the **best accuracy**. The unit tilting is carried out on cast-iron rotation sectors in a crescent shape to ensure reliability over time.

always user friendly and precise

Handwheels on the machine front

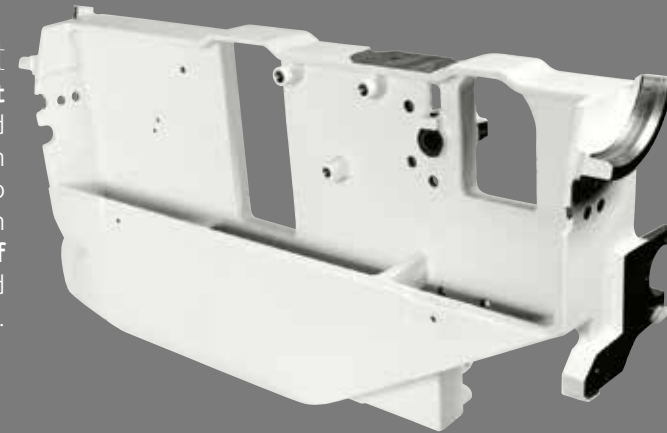
Ease of use in every day operation due to the dedicated gear box (**SCM solution**), fully protected from dust, that provides a smooth and direct transmission. Every minimum handwheel movement corresponds to a precise blade adjustment.



perfect cut

Saw unit

Maximum torsional rigidity and the total absence of vibration through the closed loop structure of the saw unit which ensures **perfect alignment of the blades** during tilted and difficult cuts.



simple and effective

Manual adjustment of the scoring unit

Vertical and horizontal adjustments are carried out by user-friendly mechanical levers that operate directly making **precise and smooth movements**. The useful mechanical stops allows immediately finding of the set position. The positioning of the controls allows their use without moving from the front of the machine.





maximum cut quality guaranteed over time

Sliding carriage

The carriage will never require adjustment due to its closed reticular geometry with steel guides using an **exclusive method of mechanical fixing**.



Furthermore the **“arc” profile of the class arch-ground steel slideways (SCM Solution)** ensures:

- No play and loads four times higher than others
- +/-0,05 mm tolerance on the entire carriage length for straight and high quality cutting
- Sliding effectiveness over time, thanks to the particular guides positioning which ensures protection from dust



smooth, rapid and precise positioning

Rip fence

Sliding of the rip fence support on round bar with micrometric adjustment. The support can be also equipped with digital readout for fence position with detecting system on magnetic band (option). The fence can be easily excluded from the working area when it isn't used.



class



nova

optimal support

Squaring frame and fence

Panel loading is easy on the large squaring frame with an idle roller at the end and the mobile cross beams offer an **optimal support** also to smaller panels. The telescopic squaring fence with the inclined metric scale and two reversible stops can be used to square panels measuring 3200 x 3800 mm and for tilted cuts at up to 45° on both sides of the frame.

programmable circular saws electronic controls

the operating advantage
for easy assistance

Easy

Maximum reliability due to the function pushbuttons and easy-to-use with the electronic control of up to 5 axes with the 7" LCD display, 16:9 format. Integrated and fast control of all dedicated functions.

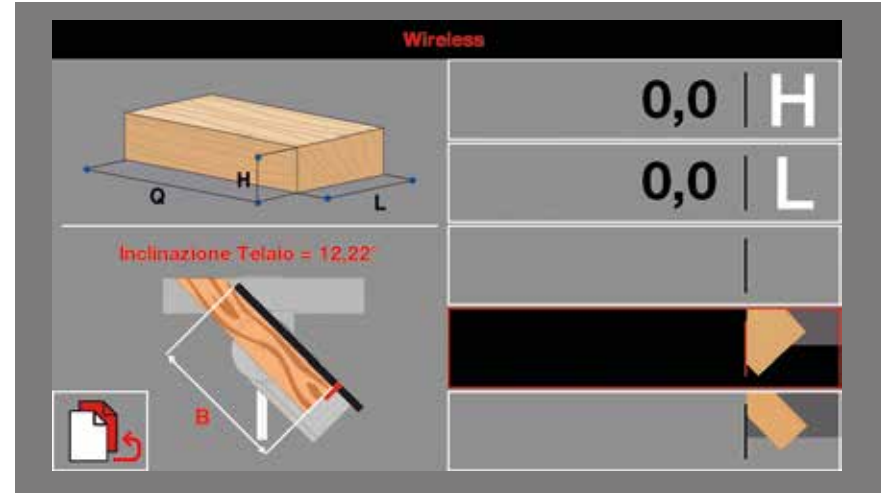
These features translate into immediate improvements in productivity and guarantees the capability of the full potential of the machine.



one cut only, the correct on

Operator's support

The large display suggests to the operator information for the correct use of any cutting configuration. In particular it displays in real time the correct position of the stop on the basis of the known measurements of the work piece (**SCM Solution**).



the practical advantage for
automatic control of the main
positions

Ready

The **programming** of the work becomes **simple and effective** with the electronic control with a 4" LCD display.

- Working mode: manual, semi-automatic and automatic with a memory capacity of up to 99 programs.
- Tool data setting with automatic height adjustment.
- Calculator and hour counter.



Saw unit lifting



Saw unit tilting



Programmable rip fence (option)



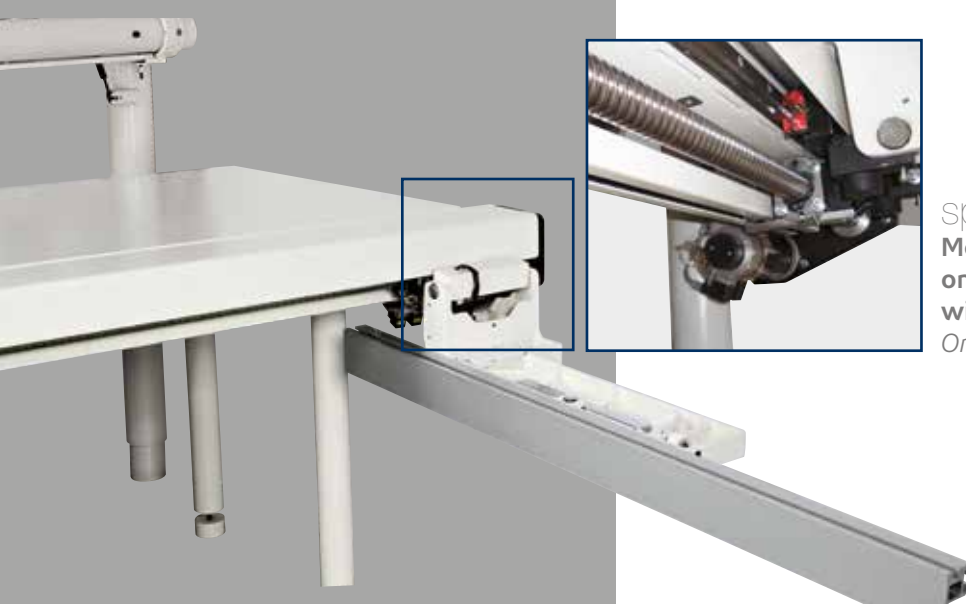
Blade speed readout

Easy control can easily manage the **inverter for the adjustment of the saw blade rotation speed and the scoring unit alignment** (option).





maximum practicality
Pushbuttons integrated in the carriage
 The possibility to start or stop the blades motors from the pushbuttons located at the ends of the carriage **considerably helps when machining large dimensioned panels.**
(option)

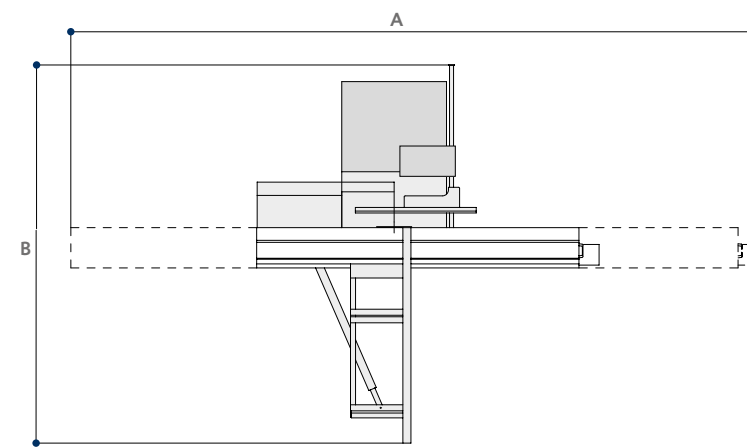
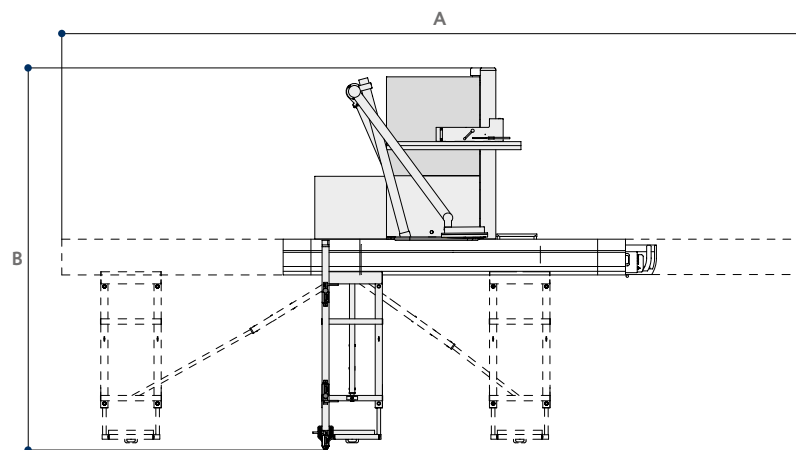


speed and precision
Motorised programmable rip fence mounted on a recirculating ball screw mechanism with sliding on linear guides.
Only for Ready 3 Plus / Easy 3 Plus versions



practicality and safety
Motorized programmable rip fence with steel cable and sliding on sturdy round steel bar.
 Position readout on magnetic band.
Only for Ready 3 versions

circular saws dimensions and technical data



		class si 550ep	class si 400ep
Cast-iron saw table dimensions	mm	1285 x 700	1040 x 630
Blades tilting		90° ÷ 45°	90° ÷ 45°
Max. saw blade diameter with installed scoring unit	mm	550*	400
Max. saw blade projection from the table at 90°/45°	mm	200/130	140/97
Saw blade rotating speed	rpm	2500/3500/5000	3000/4000/5000
Squaring capacity	mm	2200 ÷ 3800	2200 ÷ 3800
Cutting width on rip fence	mm	1000 ÷ 1500	1000 ÷ 1500
other technical features			
Three-phase motors 5 kW (6,6 hp) 50 Hz - 6 kW (8 hp) 60 Hz		-	-
Three-phase motors 7 kW (9,5 hp) 50 Hz - 8 kW (11 hp) 60 Hz		S	S
Three-phase motors 9 kW (12 hp) 50 Hz - 11 kW (15 hp) 60 Hz		O	O
Three-phase motors 14 kW (19 hp) 50 Hz - 14 kW (19 hp) 60 Hz		O	-
Exhaust hoods diameter			
- at the base	mm	120	120
- on overhead protection	mm	100	100
- on riving knife	mm	-	60

S Standard
O Option

* The machine isn't equipped with scoring unit

		class si 550ep	class si 400ep	nova si 400ep	class si 400	class si 350	class si 300	nova si 400	nova si 300	nova si 300s
A with 1600 mm carriage	mm	-	-	-	-	-	-	-	-	3760
A with 3200 mm carriage	mm	7250	7250	7100	6825	6825	6825	7100	7100	-
A with 3800 mm carriage	mm	8500	8500	8140	7425	7425	7425	8140	8140	-
B 1000 mm with cutting width on rip fence	mm	3922	3815	4870	3740	3740	3597	4870	4870	3115
B 1270 mm with cutting width on rip fence	mm	4247	4140	5155	4110	4110	3867	5155	5155	3400
B 1500 mm with cutting width on rip fence	mm	4372	4265	5370	4235	4235	4097	5370	5370	3615

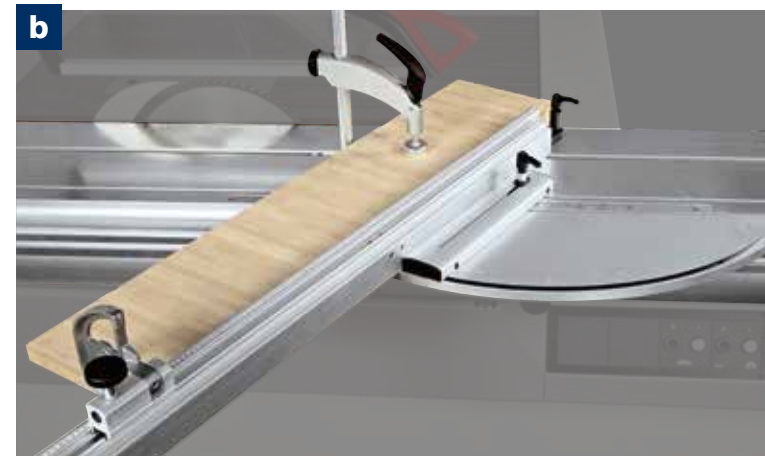
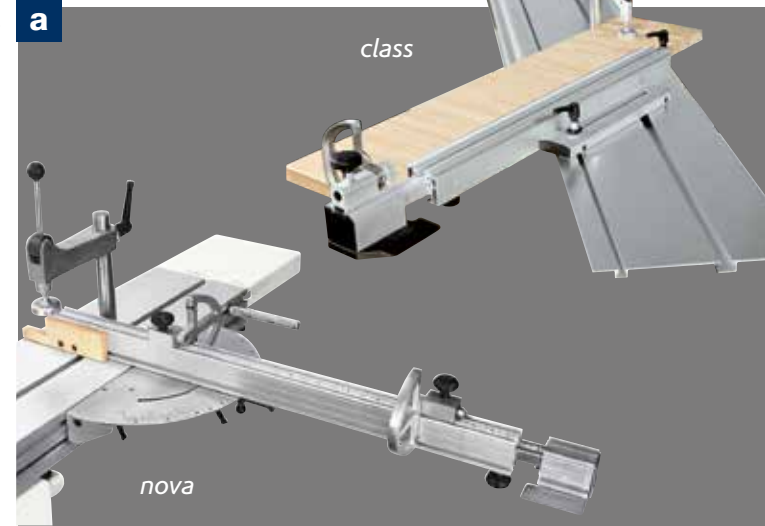
nova si 400ep	class si 400	class si 350	class si 300	nova si 400	nova si 300	nova si 300s
1040 x 630	1040 x 630	1040 x 630	900 x 550	1040 x 630	900 x 550	900 x 550
90° ÷ 45°	90° ÷ 45°	90° ÷ 45°	90° ÷ 45°	90° ÷ 45°	90° ÷ 45°	90° ÷ 45°
400	400	350	315	400	315	315 ÷ 400
140/97	140/97	118/81	100/70	140/97	100/70	100/70 (with 315 mm blade) 140/97 (with 400 mm blade)
3000/4000/5000	3000/4000/5000	4000	4000	3700	4000	4000 (with 315 mm blade) 3700 (with 400 mm blade)
3200 ÷ 3800	2200 ÷ 3800	2200 ÷ 3800	2200 ÷ 3800	3200 ÷ 3800	3200 ÷ 3800	1600
1000 ÷ 1500	1000 ÷ 1500	1000 ÷ 1500	1000 ÷ 1500	1000 ÷ 1500	1000 ÷ 1500	1000 ÷ 1500
-	-	-	S	-	S	S
S	S	S	O	S	O	O
O	O	-	-	O	-	-
-	-	-	-	-	-	-
120	120	120	120	120	120	120
80	100	100	100	80	80	80
-	60	60	60	60	60	60

circular saws main optional devices

Angular cutting devices

Available for the following versions

- a) traditional
- b) with automatic self-adjustment of the stops position in respect of the blade
- c) with automatic self-adjustment of the stops position in respect of the blade and electronic readouts for stop position and rule tilting angle



Rip fence unit

The exclusive referencing system for the first trim cut allows the setting of trim quantity to be cut for every side **without any test cuts**.

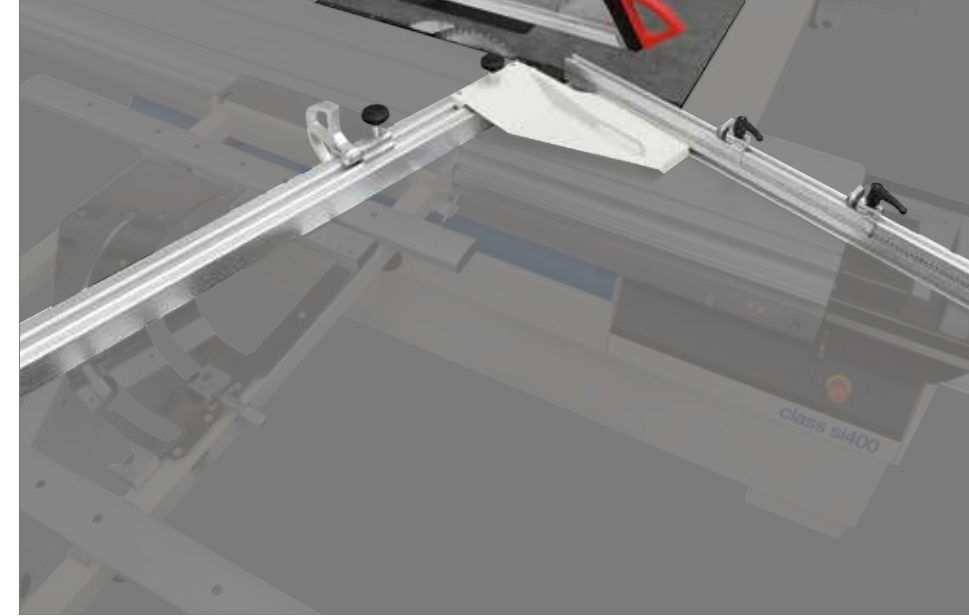
Available also with electronic readouts.





Squaring frame with "Complex" device

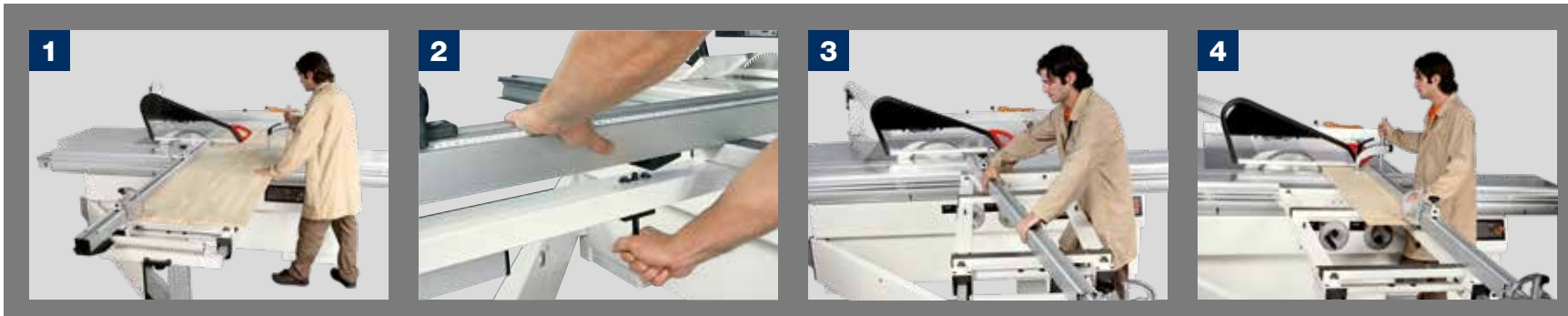
with automatic self-adjustment of stops position in respect of the blade and rule tilting angle. Furthermore, thanks to the dedicated frame structure, it is possible to carry out **tilted cuts keeping the squaring rule comfortably within the operator's reach**, both in acute cuts and in obtuse ones, without renouncing to a valid support of the piece.



Fence for complementary cutting

Device to be applied directly on the squaring rule that allows to quickly carry out cuts with angles complementary to the rule one.

Electronic readouts on the squaring stops
The stops can be easily read even from distance.



speed and precision
"Quick Lock" fence with rapid release.

Minimum set up time with the **SCM system that allows rapid fence positioning.** The extending roller and the stronger frame support maximise performance.

circular saws main optional devices



Overhead blade protection
For totally safe machining.



Surface reinforcement treatment
For sliding table and mobile crossbars of squaring frame.
Dedicated to the intensive processing and particularly
abrasive materials.



Mechanical preset for "DADO" machining
Possibility of using a tool (not included)
to replace the main blade, with 203 mm
maximum diameter and 20 mm
maximum thickness.



"Pro-Lock"
"Pro-Lock" system for the main blade rapid locking
with fast and tool-less riving knife adjustment.



Expandable scoring blade
Manually expandable with variable thickness from
2,8 to 3,6 mm. 120 mm blade diameter.

Pneumatic presser

Particularly suitable for the cutting of thin materials.

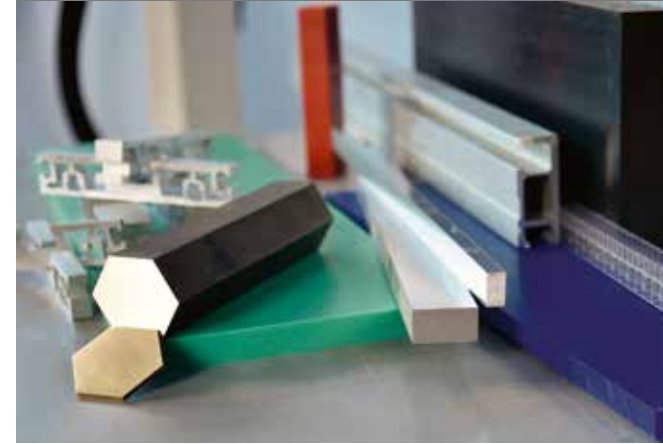


Second extension with sliding rail support
to safely support panels for large dimension
and weight.



Advance materials machining

PVC and other plastic materials. Nylon, polycarbonate and other synthetic materials. Corian and other composite materials. Aluminium, brass and other light metals.



Device for the blade micro-lubrication

Compulsory for the machining of light alloys,
extremely useful with particular plastic materials.



circular saws main optional devices

	class si 550ep
"READY 3" version	0
"READY 3 UP" version	-
"READY 3 UP PLUS" version	-
"EASY 3 UP PLUS" version	-
"CUT 140" version	-
Expandable scoring blade	-
Surface reinforcement treatment for sliding table and mobile crossbars of squaring frame	0
Start/stop pushbuttons integrated in the sliding carriage	0
"Quick Lock" squaring fence	0
Squaring fence with LCD readouts for stops position	0
Fence for angular cutting on the sliding carriage	0
Fence for angular cutting with self-adjustment	0
Fence for angular cutting with electronic readouts and self-adjustment	0
Squaring frame with "Compex" device	0
Fence for complementary cutting	0
Fence for rip cutting on the sliding carriage	0
Fence for rip cutting on the sliding carriage with electronic readout	0
Inverter for electronic speed change from 2700 to 6000 rpm	-
2-axis scoring unit with automatic adjustment	-
Electronic readout of parallel fence position	0
Presser on entire carriage length	0
Second extension with sliding rail support	0
"Pro-Lock" system for the main blade rapid locking with fast and tool-less riving knife adjustment	0
"DADO" machining	-
Machine configuration for advanced materials machining	-
Device for the blade micro-lubrication for the machining of plastic materials and light alloy	-
Overhead blades protection	S

* Standard for CE and USA-Canada versions; Option for NO CE versions

S Standard
O Option

class si 400ep	nova si 400ep	class si 400	class si 350	class si 300	nova si 400	nova si 300	nova si 300s
0	0	-	-	-	-	-	-
0	0	-	-	-	-	-	-
0	0	-	-	-	-	-	-
0	-	-	-	-	-	-	-
-	-	-	-	-	-	-	0
0	0	0	0	0	0	0	0
0	-	0	0	0	-	-	-
0	0	0	0	0	0	0	-
0	-	0	0	0	-	-	-
0	0	0	0	0	0	0	-
0	0	0	0	0	0	0	0
0	0	0	0	0	0	0	0
0	0	0	0	0	0	0	0
0	-	0	0	0	-	-	-
0	0	0	0	0	0	0	-
0	0	0	0	0	0	0	-
0	0	0	0	0	0	0	0
0	-	0	0	0	-	-	-
0	-	-	-	-	-	-	-
0	-	-	-	-	-	-	-
0	0	0	0	0	0	0	0
0	-	0	0	0	-	-	-
0	-	0	0	0	-	-	-
0	-	0	-	-	-	-	-
0	0	0	0	0	0	0	0
0	0	0	0	0	0	0	0
0	0	0	0	0	0	0	0
0	0	0	0	0	0	0	0
S*	S	S*	S*	0	S*	0	0



surface
planers
class f 520
class f 410
nova f 520
nova f 410

thickening
planers
class s 630
class s 520
nova s 630
nova s 520

surfacing-thickening
planers
nova fs 520
nova fs 410

planers

The wide range of planers available
on the market.

class

The best solution
for every application.

nova

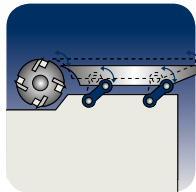
Guaranteed quality
at your fingertips.

surface planers
 class f 520
 class f 410
 nova f 520
 nova f 410

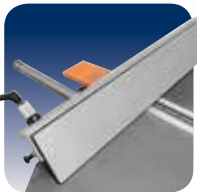


		class f 520	class f 410	nova f 520	nova f 410
Working width	mm	520	410	520	410
Cutterblock diameter (standard knives)	mm/no.	120/4	120/4	120/4	120/4
Max. stock removal	mm	8	8	8	8
Total work tables length	mm	2750	2610	2750	2610
Three-phase motors starting from	kW/Hz	5 (6) / 50 (60)	5 (6) / 50 (60)	5 (6) / 50 (60)	5 (6) / 50 (60)

Find the complete technical specification at page 36



Feeding on Connecting Rods
constant precision



Surface Fence
high rigidity



Integrated Protection
ergonomics and safety

Perfect surfaces, practical and safe, ergonomics.

thicknessing planers

class s 630

class s 520

nova s 630

nova s 520

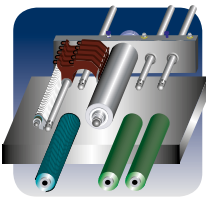


		class s 630	class s 520	nova s 630	nova s 520
Working width	mm	630	520	630	520
Cutterblock diameter (standard knives)	mm/no.	120/4	120/4	120/4	120/4
Max. stock removal	mm	8	8	8	8
Feed speed on thicknesser	m/min	4 ÷ 20	4 ÷ 20	5/8/12/18	5/8/12/18
Min. ÷ max. working height on thicknesser	mm	3,5 ÷ 300	3,5 ÷ 300	3,5 ÷ 300	3,5 ÷ 300
Three-phase motors starting from	kW/Hz	7 (8) / 50 (60)	7 (8) / 50 (60)	7 (8) / 50 (60)	7 (8) / 50 (60)

Find the complete technical specification at page 36



Rollers on Connecting Rods
perfect finish



Interchangeable Rollers
for every requirement



SCM Spindle
simple and rapid

Easy to use and precise, stylish with practical design, a wider range of applications.

surfacing-thicknessing planers

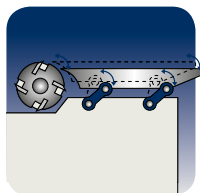
nova fs 520

nova fs 410



		nova fs 520	nova fs 410
Working width	mm	520	410
Cutterblock diameter (standard knives)	mm/no.	120/4	95/4
Total work tables length	mm	2250	2200
Min. ÷ max. working height on thicknesser	mm	3,5 ÷ 240	3,5 ÷ 240
Three-phase motors starting from	kW/Hz	7 (8) / 50 (60)	5 (6) / 50 (60)

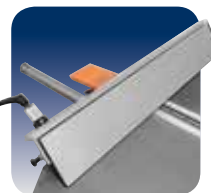
Find the complete technical specification at page 36



Feeding on Connecting Rods
constant precision



Thickening Table
rigidity and precision



Surface Fence
high rigidity

Easy and rapid to use with great performance in a limited space.

planers operating units

absolute rigidity

Surface fence

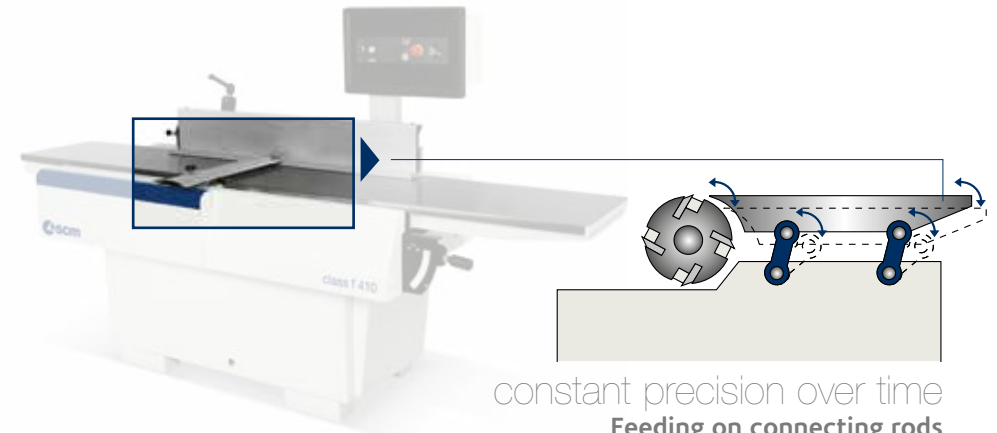
High rigid fence with a smooth movement thanks to the **central locking on round bar**. The graduated scale facilitates the operator in positioning the guide to the required tilting.



a guarantee of perfect planarity

Simultaneous raising of the work tables

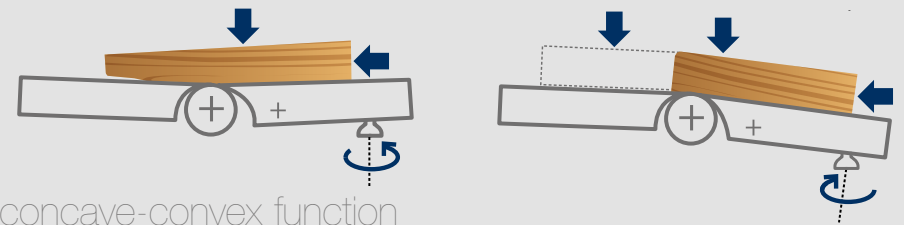
The system allows the **changeover from planer to thicknesser** with a single movement ensuring working rapidity and precision.



constant precision over time

Feeding on connecting rods

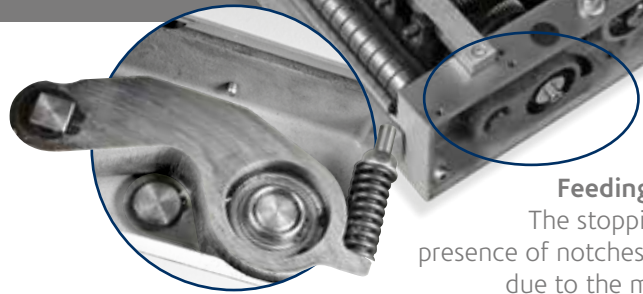
Very accurate machining with the movement of the infeed table by means of a parallelogram **kinetic mechanism** which **always gives the same distance between the cutterblock and the table**. The system operating directly on the connecting rods avoids any exertion to the table assuring constant planarity over time.



concave-convex function

Perfect joints every time

The available settings allow **perfect bonding** of the components giving excellent coupling and eliminating any joint line. (class)



perfect finish

Feeding rollers on connecting rods

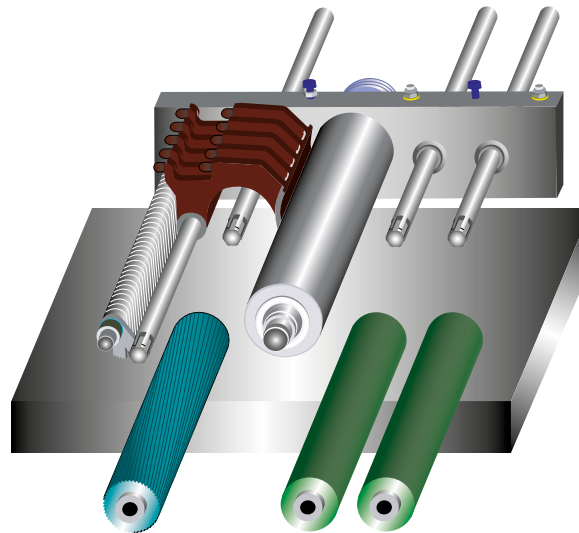
The stopping of the work piece and the presence of notches on its surface are eliminated due to the movement system on all three rollers, that allows their vertical displacement by rotation and the **best linear feeding**. Perfect surfaces and high feeding performance with the standard rubber rollers.



Easy and rapid in use

SCM cutterblock

The cutter block is made from a single block of steel ensuring complete stability even under heavy dynamic loads.



one machine for every requirement

Interchangeable rollers

Perfect finish obtained by quick and easy changeover of the rollers that allows the operator to configure the machine drive function in case of special requirements, such as a minimum removal of fine wood and/or batches where multiple pieces of different thicknesses are processed.

(Third powered for nova thickening planers available as option).

Powered work table lifting with micrometric adjustment.
(With digital readout for class planers)

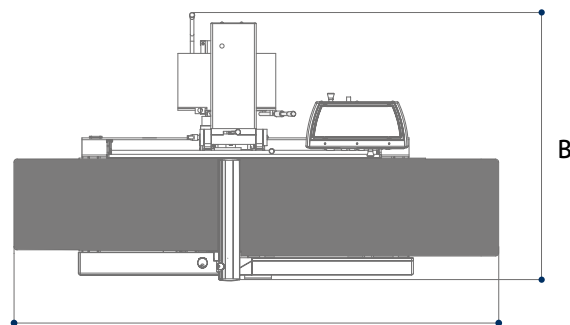
Feed speed controlled by inverter from control panel and dedicated warning light to indicate to higher speed.
(class)

The 4 screws with a large diameter combined with the 2 side linear guides ensure worktable stability. The integrated protections guarantee high precision and reliability over time.

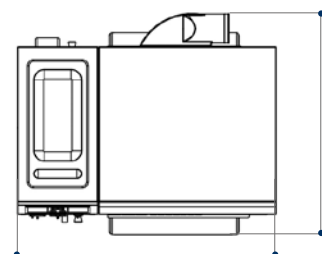
Pneumatic load adjustment on the rollers for the best finish and effectiveness of the feeding of any material and in any working condition.
(Option for class thickening planers)



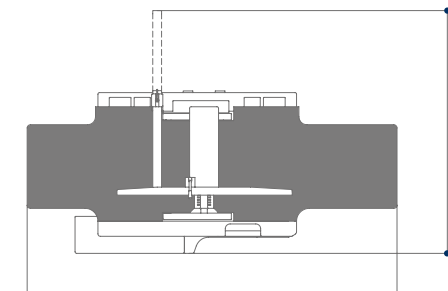
planers dimensions and technical data



A



C



E

		class f 520	class f 410	nova f 520
Working width	mm	520	410	520
Cutter-block diameter (standard knives)	mm/no.	120/4	120/4	120/4
Standard knives dimensions	mm	35 x 3 x 520	35 x 3 x 410	35 x 3 x 520
Maximum stock removal	mm	8	8	8
Total length of surface tables	mm	2750	2610	2750
Thickening table dimensions	mm	-	-	-
Feed speed on thickener	m/min	-	-	-
Min. ÷ max. working height on thickener	mm	-	-	-
other technical features				
Three-phase motors 5 kW (6,6 hp) 50 Hz - 6 kW (8 hp) 60 Hz		S	S	S
Three-phase motors 7 kW (9,5 hp) 50 Hz - 8 kW (11 hp) 60 Hz		O	O	O
Three-phase motors 9 kW (12 hp) 50 Hz - 11 kW (15 hp) 60 Hz		-	-	-
Exhaust hood diameter	mm	120	120	120

S Standard
O Option

		class f 520	class f 410	nova f 520	nova f 410	class s 630	class s 520	nova s 630	nova s 520	nova fs 520	nova fs 410
A	mm	2750	2610	2750	2610	-	-	-	-	-	-
B	mm	1416	1155	1415	1150	-	-	-	-	-	-
C	mm	-	-	-	-	1280	1130	1275	1140	-	-
D	mm	-	-	-	-	1095	1017	1080	1003	-	-
E	mm	-	-	-	-	-	-	-	-	2250	2200
F	mm	-	-	-	-	-	-	-	-	1510	1200

nova f 410	class s 630	class s 520	nova s 630	nova s 520	nova fs 520	nova fs 410
410	630	520	630	520	520	410
120/4	120/4	120/4	120/4	120/4	120/4	95/4
35 x 3 x 410	35 x 3 x 640	35 x 3 x 520	35 x 3 x 640	35 x 3 x 520	30 x 3 x 520	30 x 3 x 410
8	8	8	8	8	5	5
2610	-	-	-	-	2250	2200
-	640 x 1000	530 x 900	640 x 1000	530 x 900	520 x 850	410 x 775
-	4 ÷ 20	4 ÷ 20	5/8/12/18	5/8/12/18	5/8/12/18	6/12
-	3,5 ÷ 300	3,5 ÷ 300	3,5 ÷ 300	3,5 ÷ 300	3,5 ÷ 240	3,5 ÷ 240
S	-	-	-	-	-	S
O	S	S	S	S	S	O
-	O	O	O	O	O	-
120	150	150	150	150	120	120

planers main optional devices

“Xylent” spiralknife cutterblock

The 3 spiralknives give an exceptional finish. **Reduced noise** during machining provides a more comfortable working environment. It also improves the dust extraction due to the **production of very small chips**. Each cutter has 4 tips which can be rotated into the cutting position when worn. Therefore increasing the production life of the cutter block **before knives** require replacement.



Maintenance case for “Xylent” spiralknife

Complete with:

- 1 cleaning/degreasing liquid bottle for the resins cleaning
- 1 set dynamometric key
- 2 bit Torx
- 10 inserts
- 5 screws
- 1 brass bristle brush to clean the spindle with mounted in inserts
- 1 steel bristle brush to clean the inserts housings



“Tersa” monoblock cutterblock

The cutter block is made from a single block of steel ensuring complete stability even under heavy dynamic loads. Automatic knives clamping by means of the centrifugal force ensures safe and precise machining. The system, without fixing screws, makes knives substitution extremely fast.

Additional overturning fence

Integrated in the surface fence, it ensures perfect operator safety when machining small dimensioned work pieces.

“Smart Lifter” integrated protection

The protection system, **developed by SCM**, is perfectly integrated into the machine base for **maximum protection** while excluding any hindrance or obstruction in the work. The protection with automatic vertical, horizontal and tilted movements **provides complete coverage of the tool** before, during and after machining.





Cast-iron mortiser

Drilling holes and mortises are easily carried out. Complete with exhaust hood, 120 mm diameter and 16 mm chuck.

Outfeed rollers in sandblasted steel

For a perfect post-processing finish.



Special rollers

The sectioned steel roller (a) and the dual-density rubber roller (b) allow the simultaneous processing of different thicknesses giving great results even with minimum removal. With the dual-density rubber roller, the edges are not damaged even when the work pieces are not perfectly aligned. Suitable also for upgraded woods and/or thin thicknesses.



a



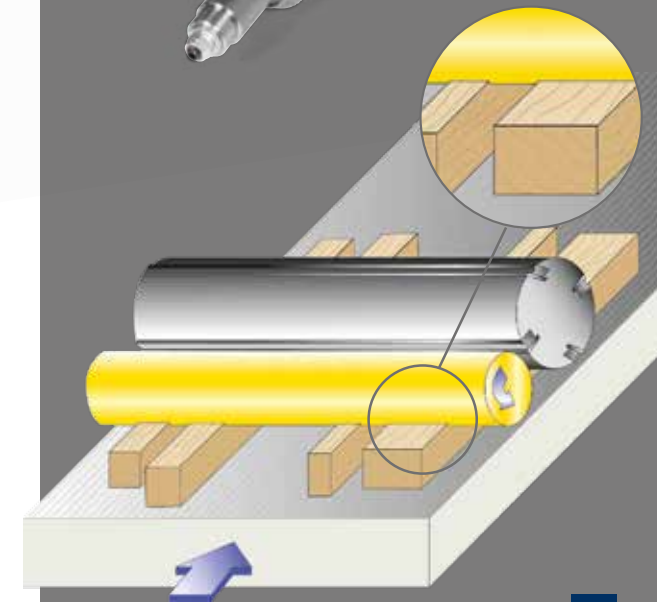
Work table extension

A single operator can easily move very long panels or introduce a second one without going to the outside to stop the first one.



Thickening table with idle rollers

It enables the feeding of moist and/or resinous wood. Particularly suitable for heavy duty woodworking operations and with rough work pieces.



b





electronically programmable
spindle moulders
class ti 145ep
class ti 120e
class tf 130e

manual
spindle moulders
class tf 130
class tf 130ps
class ti 120
nova tf 110
nova ti 105
nova tf 100

spindle moulders

The widest range of spindle moulders offering the market the latest and most advanced technological solutions urgently required for different types of production.

class

The best solution for every production requirement.

nova

Guaranteed quality at your fingertips.

electronically
programmable
spindle moulders
class ti 145ep
class ti 120e
class tf 130e



		class ti 145ep	class ti 120e	class tf 130e
Spindle height CEØ 30-35 (40-50)	mm	140 (160)	140 (180)	140 (180)
Max. diameter of the profiling tool	mm	250	250	250
Max. tool diameter retractable under work table at 90°	mm	300	320	300
Diametro max. dell'utensile a tenonare CE Ø 30-35 (40-50)	mm	300 (300)	300 (350)	300 (300)
Three-phase motors starting from	kW/Hz	7 (8) / 50 (60)	5 (6) / 50 (60)	7 (8) / 50 (60)

Find the complete technical specification at page 52



Spindle Moulder Unit
sturdiness and versatility



Spindle Moulder Fence
set-up rapidity



Electronic Control
operating advantage



Machine Versions
specialisation and professionalism

More quality, more performance,
more reliability.

manual
 spindle moulders
 class tf 130
 class tf 130ps
 class ti 120
 nova tf 110
 nova ti 105
 nova tf 100



		class tf 130	class tf 130ps	class ti 120	nova tf 110	nova ti 105	nova tf 100
Spindle height CE Ø 30-35 (40-50)	mm	140 (180)	140 (180)	140 (180)	140 (180)	125 (125)	125 (125)
Max. diameter of the profiling tool	mm	250	250	250	250	240	240
Max. tool diameter retractable under work table at 90°	mm	300	320	320	320	240	240
Max. diameter of tenoning tool CE Ø 30-35 (40-50)	mm	300 (350)	300 (350)	300 (350)	300 (350)	275 (320)	240 (240)
Three-phase motors starting from	kW/Hz	7 (8) / 50 (60)	7 (8) / 50 (60)	5 (6) / 50 (60)	5 (6) / 50 (60)	5 (6) / 50 (60)	5 (6) / 50 (60)

Find the complete technical specification at page 52



Spindle Moulder Unit
sturdiness and
versatility



Spindle Moulder Fence
set-up rapidity



Machine Versions
specialisation and
professionalism

Precision and reliability in unbeatable time.

spindle moulders operating units

easy-to-use

Adjustable spindle moulder fence.

A handle provides the setting-up of the infeed table, which effects the removal and it is verified by an index on a metric scale.



sturdiness and versatility

Spindle moulder unit

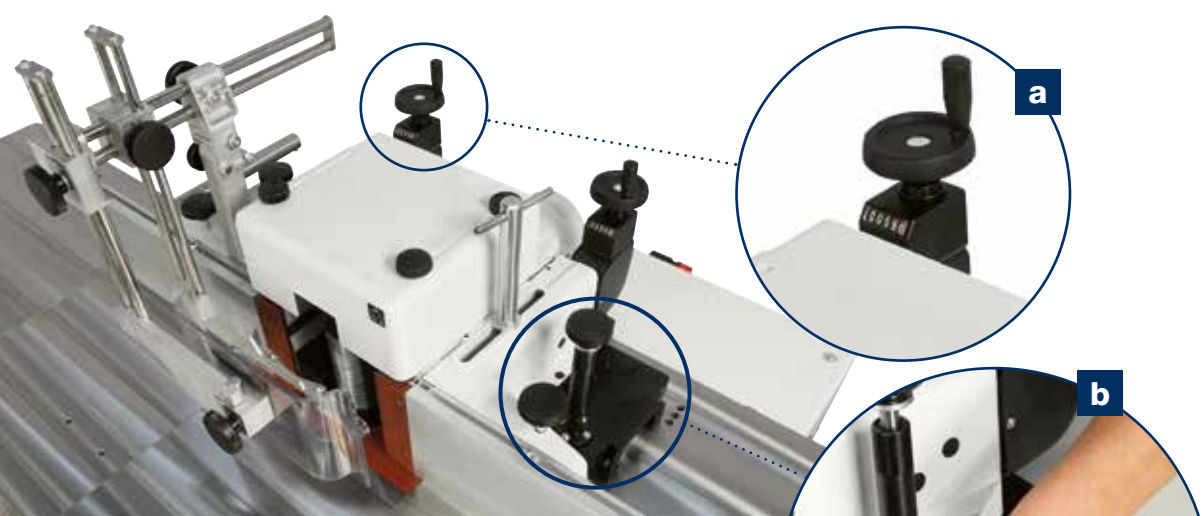
Maximum stability and rigidity in all working conditions, thanks to a **large spindle moulder column made entirely of cast iron**. The spindle is surrounded by a cast iron "cup" to protect the internal mechanical components from shavings and sawdust. The 5 standard speed (4 speed for nova ti 105 and tf 100) are ideal for any type of machining, from moulding to routing and tenoning, with the possibility to fit large diameter tools.



the best support for the work table

"Fast" sectional table

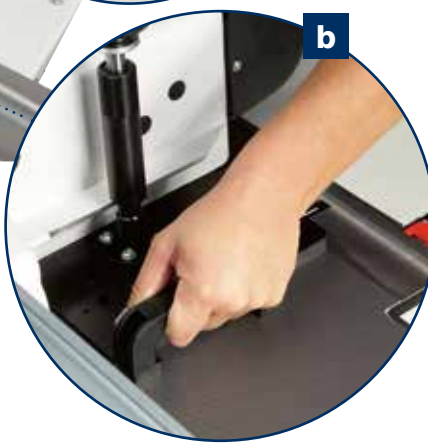
Provides support for the work piece being machined close to the tool, allowing the adjustment with mounted tools and the very best quality finish when machining narrow pieces. The extremes in machinable material eliminate the disadvantages of a possible collision with the tool.



a

b

maximum set-up speed and ease-of-use
Spindle moulder fence with mechanical programming
 No more test runs due to digital readouts (a) that ensure accuracy to a tenth of a millimetre in positioning the two worktables. The side handles (b) make it easy to remove and reposition the fence from the work table.



immediately in the correct position
"Flex" spindle moulder fence

A single, simple movement to retract and re-position instantly and accurately the position of the fence on the worktable with such precision that no other control is necessary.



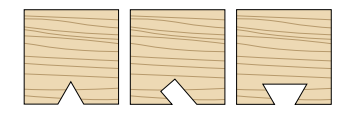
automatic and removable
"Flex One" spindle moulder fence

Automatic adjustment of the entire fence according to the tool diameter. User-friendly worktable exclusion system with precise re-positioning.



machining with tools on the spindle head carried out with the "Flex" fence

The spindle moulder fence can be located behind the tool allowing the performance of "head" routing using small diameter tools, typical of a router or portable electric tools; all this in compliance with CE safety regulations.



engraving,
 grooving,
 mortising

spindle moulders machine versions



Versions with front sliding carriage
Designed to manage tenoning and moulding operations very easily.



The nova ti 105 "version with front sliding carriage" can be equipped with **tenoning table and tenoning hood** in order to house tools, 320 mm max. diameter (300 mm USA/ Canada).



For the profiling of very large work pieces, the nova ti 105 can be equipped with a **support frame complete with two reversible stops**.



"LL" versions with work table side extensions
Ideal when machining very long work pieces due to worktable extensions.
The mobile front bar makes it easy to move large dimensioned workpieces on the worktable, particularly for edge moulding.

"TL PRO-10" versions

The manual feed carriage is a cast iron structure running on linear slideways with recirculating ball screws, guaranteeing maximum machining precision and stability.



"TL" versions
Top machining precision and stability due to the manual feed carriage with cast-iron structure mounted on axial bearings running on slideways made from hardened and ground bar.



The "PRO-10" tenoning table can be retracted easily and within a few seconds to leave the machine ready for moulding (a) or contouring (b) operations.



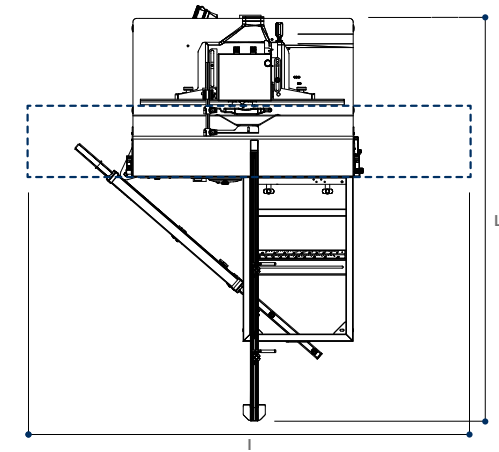
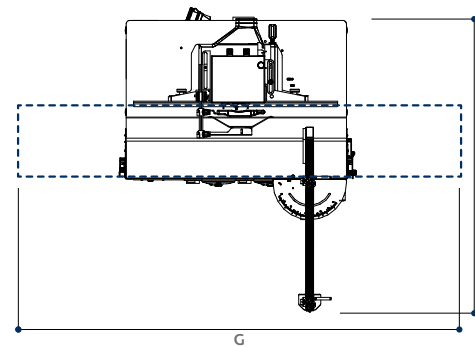
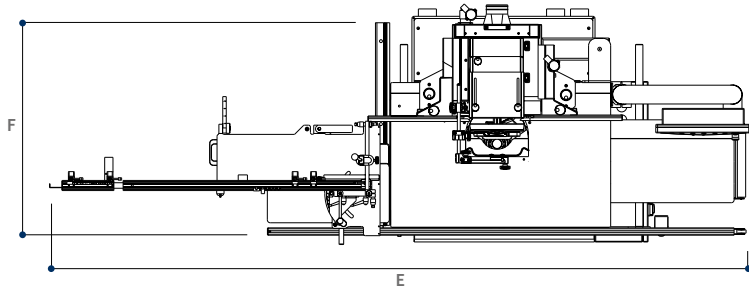
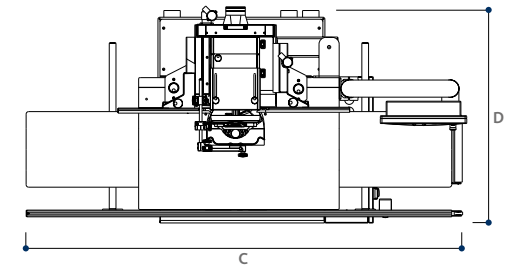
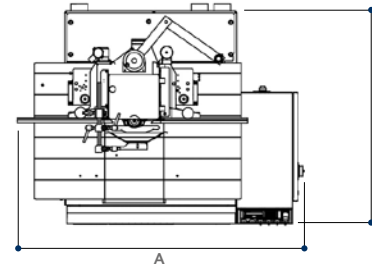
For a total safety and a higher flexibility, the machine is supplied, as standard feature, with a **special protection hood for contouring operations.**



Carriage on work table for small tenoning jobs

Ideal for tenoning of small work pieces for the versions without sliding carriage. Mitre cuts with angles of $\pm 60^\circ$ on the worktable are possible. Easy fitting and removal due to the fixing system on the worktable.

spindle moulder dimensions and technical data



		class ti 145ep	class ti 120e	class tf 130e
Work table dimensions	mm	1200 x 780	1200 x 810	1200 x 730
Spindle tilting		-45,5° ÷ +45,5°	-45° ÷ +45°	-
Spindle height CE Ø 30-35 (40-50)	mm	140 (160)	140 (180)	140 (180)
Spindle speed (at 50 Hz)	rpm	3000/4500/6000/7000/10.000	3000/4500/6000/7000/10.000	3000/4500/6000/7000/10.000
Max. diameter of the profiling tool	mm	250	250	250
Max. tool diameter retractable under work table at 90°	mm	300	320	300
Max. diameter of tenoning tool CE Ø 30-35 (40-50)	mm	300 (300)	300 (350)	300 (300)
other technical features				
Three-phase motors 5 kW (6,6 hp) 50 Hz - 6 kW (8 hp) 60 Hz		-	S	-
Three-phase motors 7 kW (9,5 hp) 50 Hz - 8 kW (11 hp) 60 Hz		S	O	S
Three-phase motors 9 kW (12 hp) 50 Hz - 11 kW (15 hp) 60 Hz		O	O	O
Exhaust hood diameter:				
- at the base	mm	100	2 x 80	120
- on the spindle moulder fence	mm	120	120	120

S Standard
O Option

		class ti 145ep	class ti 120e	class tf 130e	class tf 130	class tf 130ps	class ti 120	nova tf 110	nova ti 105	nova tf 100
A	mm	1655	1194	1324	1324	-	1194	1200	1200	1111
B	mm	1265	1280	1010	1010	-	1280	730	855	655
C	mm	2600	2600	2600	2600	-	2600	2600	2600	2600
D min.	mm	1265	1300	1340	1340	-	1300	800	920	720
D max.	mm	1575	1710	1650	1650	-	1710	1250	1220	1020
E	mm	3780	3520	3551	3551	-	3197	3150	-	-
F min.	mm	1375	1300	1340	1340	-	1300	800	-	-
F max.	mm	1685	1710	1650	1650	-	1710	1250	-	-
G	mm	-	-	-	-	2080	-	-	2800 ÷ 3850	-
H	mm	-	-	-	-	2740	-	-	2354	-
I	mm	-	-	-	-	-	-	-	2800 ÷ 3850	-
L	mm	-	-	-	-	-	-	-	3200	-

class tf 130	class tf 130ps	class ti 120	nova tf 110	nova ti 105	nova tf 100
1200 x 730	1080 x 760	1200 x 810	1200 x 730	1200 x 855	1080 x 655
-	-	-45° ÷ +45°	-	0° ÷ +45°	-
140 (180)	140 (180)	140 (180)	140 (180)	125 (125)	125 (125)
3000/4500/6000/7000/10.000	3000/4500/6000/7000/10.000	3000/4500/6000/7000/10.000	3000/4500/6000/7000/10.000	3500/6000/8000/10.000	3500/6000/8000/10.000
250	250	250	250	240	240
300	320	320	320	240	240
300 (350)	300 (350)	300 (350)	300 (350)	275 (320)	240 (240)
-	-	S	S	S	S
S	S	O	O	O	O
O	-	O	-	-	-
120	120	2 x 80	120	120	120
120	120	120	120	120	120

spindle moulders electronic controls

"Easy"

Maximum reliability and **easy-to-use** due to the function push buttons with the electronic control of up to 8 axes with the 7" LCD display, 16:9 format. Integrated and fast control of all dedicated functions. These features translate into immediate improvements in productivity and guarantees the capability and the full potential of the machine.



"Ready"

The programming of the work becomes simple and effective with the electronic control with a 4" LCD colour screen. Working mode: manual, semi-automatic and automatic with a memory capacity of up to 99 programs.



Tool-holder shaft lifting



Adjustment of the entire profiling fence



Tool-holder shaft tilting



Tool-holder shaft speed readout

For the most recurring machining jobs it is possible to set the dimensions of the required profile and select the tool to be used. The controls will create the dedicated program to carry out the require machining operations.



Powered movement with digital readouts. Maximum precision and ease of use.



"Easy" control can easily manage the inverter for the adjustment of spindle rotation speed. (option).



spindle moulders other optional devices

Feeder support

High usable flexibility and no use of worktable space, due to the cross device on the column support of the overhead control panel. The positions are made extremely simple using handwheels with digital readout.



"T-SET" rapid tool locking

A simple compressed air gun allows the tools locking and unlocking when the interchangeable spindle is present.



Advanced materials machining

PVC and other plastic materials. Nylon, polycarbonate and other synthetic materials.

spindle moulders

main
optional
devices

	class ti 145ep	class ti 120e
"Ready" version	S	-
"Easy" version	O	-
"PS" version with front sliding carriage	-	-
Support frame with tiltable telescopic fence complete with no. 2 reversible stops	-	-
Mobile control panel	O	-
Powered operating unit movement with digital readouts	-	S
"Flex" spindle moulder fence	O	O
"Flex One" spindle moulder fence	O	-
Inverter for the rotation speed adjustment from 900 to 10.000 rpm	O	-
Feeder support with manual vertical and horizontal movements	O	-
Spindle moulder fence with mechanical programming	S	S
Aluminium tables instead of the wooden ones for profiling fence	O	O
Interchangeable spindle	S	O
Spindle for router bits	O	O
"T-Set" rapid tool locking	O	-
"Fast" sectional table with manual adjustment	S	-
"LL" version with 2 cast-iron profiling extensions	O	O
"TL" version for tenoning and profiling	O	O
"TL PRO-10" version for tenoning and profiling	O	-
Tenong table and tenoning hood	-	-
Carriage on the fixed table for small tenoning operations	O	O
Machine configuration for advanced materials machining	O	-

S Standard
O Option

class tf 130e	class tf 130	class tf 130ps	class ti 120	nova tf 110	nova ti 105	nova tf 100
-	-	-	-	-	-	-
-	-	-	-	-	-	-
-	-	S	-	-	0	-
-	-	-	-	-	0	-
0	0	-	-	-	-	-
S	-	-	-	-	0	-
0	0	0	-	-	-	-
-	-	-	-	-	-	-
-	-	-	-	-	-	-
0	0	-	-	-	-	-
S	0	0	0	0	0	0
0	0	0	0	0	0	0
0	0	0	0	0	0	0
0	0	0	0	0	0	0
0	0	0	-	-	-	-
S	0	-	-	-	-	-
0	0	-	0	0	0	0
0	0	-	0	0	-	-
0	0	-	-	-	-	-
-	-	0	-	-	0	-
0	0	-	0	0	0	0
0	0	0	-	-	-	-



drilling machines

For all drilling requirement.

semi-automatic
drilling machine
startech cn

manual
drilling machines
startech 27
startech 21

nc universal drilling and grooving machine startech cn



		startech cn
Maximum (minimum) panel dimensions X x Y x Z	mm	3050 (300) x 800 x 50
Working area	mm	0 x 800
Maximum X-Y axes speed	m/min	25
Vertical spindles	no.	7 (4X-4Y one of them is shared)
Horizontal spindles	no.	3

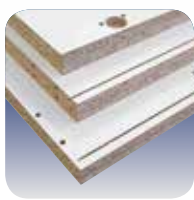
Find the complete technical specification at page 63

Maestro suite

Expand your creativity



Drilling Head
effective



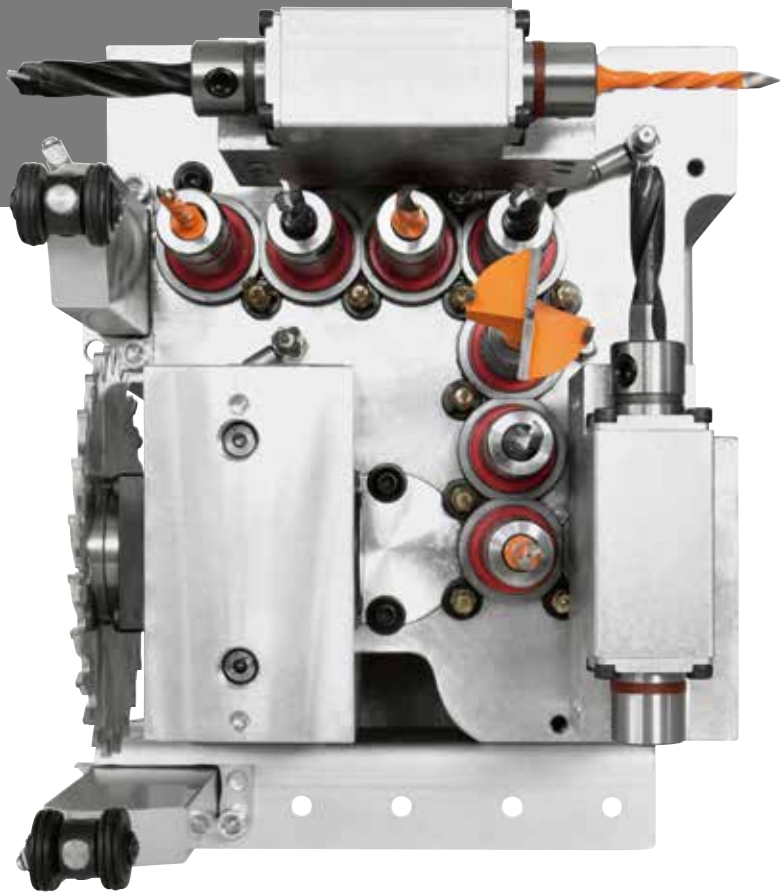
Elements Production
versatility



"Easy Motion"
easy loading

The universal drilling machine for
woodworking shops and craftsmen.

startech cn operating groups



effective

Drilling head

With 7 independent vertical spindles, the spindle and the blade in "X" and the possibility to drill in "Y", startech cn has a **drilling head flexible and ideal for batch-one furniture productions.**

The drilling head positioned above the panel allows a precise machining which can be verified in the panel assembly phase: in fact the system uses the outside of the panel as a reference and thus **any differences in thickness are on the inside of the cabinet.** Furthermore the positioning of the drilling head always **upper the working chips and dust** grants a better cleaning and a reduced maintenance.

Easy panels movement

"Easy Motion" work table

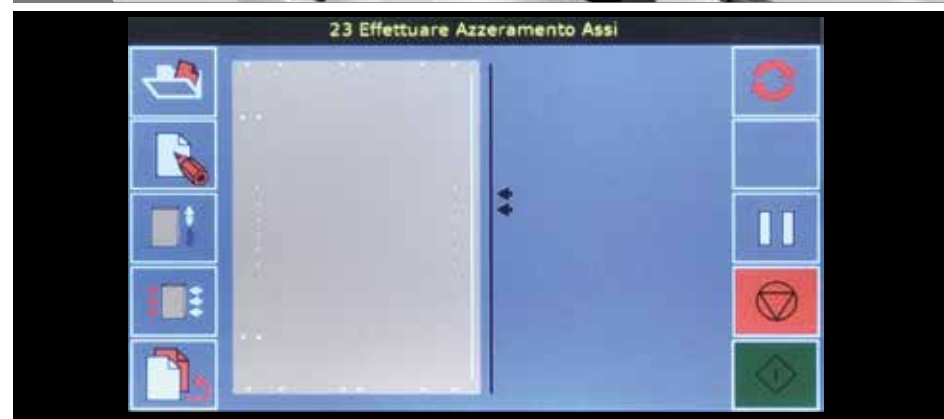
Easy loading and sliding of panels due to the front and rear support rollers. The right and left guides and the central side-alignment device facilitate accurate machining utilizing the 2 stops arrangement similar to that used on high end CNC's.



easy and intuitive

Numerical control

NC control with 7" colour touch-screen display and self-diagnosis and signaling system of errors or damages. Head tooling and machining cycle programming without using any mouse or keyboard and with automatic optimization.



Finished furniture elements can be produced without having to adjust the bits and with no operator's intervention for the worktable and machine set-up according to the panels dimensions.

Maestro suite

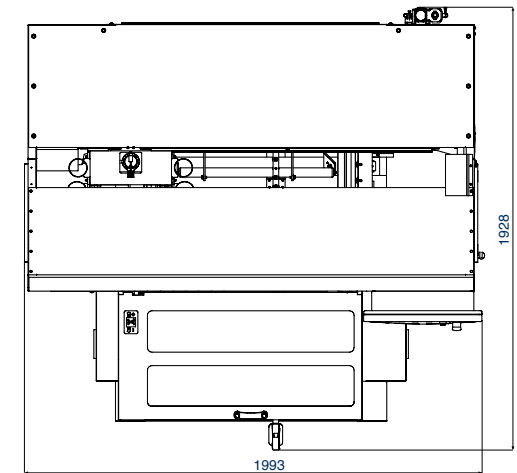


Expand your creativity



“Maestro” Software by SCM Group startech cn has the possibility to import and export the rilling programs, even when created with a CAD/CAM software in the office, through USB key (N.B. Post-processor not included). Furthermore the “Maestro” software by SCM allows to create projects and geometrical drawings to be automatically converted in drilling programs for the machine.

startech cn dimensions and technical data



startech cn		
axes		
Maximum panel dimensions X x Y x Z	mm	3050 x 800 x 50
Minimum panel dimensions X x Y x Z	mm	300 x 90 x 10
Drilling/Grooving working area	mm	0 x 800/0 x 800
X axis stroke	mm	825
X-Y maximum axes speed	m/min	25
drilling head		
Vertical spindles	no.	7 (4X-4Y one of them is shared)
Horizontal spindles	no.	3
Spindles speed	rpm	4460
Fixed integrated blade (cutting into X direction)		
Blade diameter	mm	125
Blade thickness	mm	6
Blade rotating speed	rpm	5700
other technical features		
Motor power	kW (hp)	2,2 (3)
Electrical supply	V (Hz)	380/400 (50/60)
Installed motor power (minimum)	KVA	4,5
Air pressure	bar	6,5
Compressed air consumption	NL/cycle	90
Extraction air consumption	m3/h	815
Exhaust air speed	m/sec	20
Exhaust outlet diameter	mm	120



Bar code reader

With a simple “click” of the barcode reader (option), it is very rapid and simple to recall drilling program, correctly stored in the machine control. Optimal device to integrate the startech cn inside the “Netline” panel working cells.

manual
drilling machines
startech 27
startech 21



		startech 27	startech 21
Number of spindles	n.	27	21
Work table dimensions	mm	1096 x 407	905 x 372
Max. panel width under the "gantry structure"	mm	1025	833
Max. tool diameter	mm	40	40
Min. ÷ max. panel thickness	mm	10 ÷ 85	10 ÷ 85
Spindles speed	rpm	2800	2800

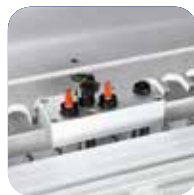
Find the complete technical specification at page 67



Drilling Head
perfect finish



Cleaning System
highly effective



Hinges Groups
high-tech accessories

Excellence in manual drilling.

manual drilling machines operating groups

perfect drilling Drilling head

Drilling head made from single-piece aluminum casting, to guarantee absence of vibrations. The drilling unit runs on two rectified cylindrical guides which guarantee stability and precision. The dust extraction system is incredibly efficient.



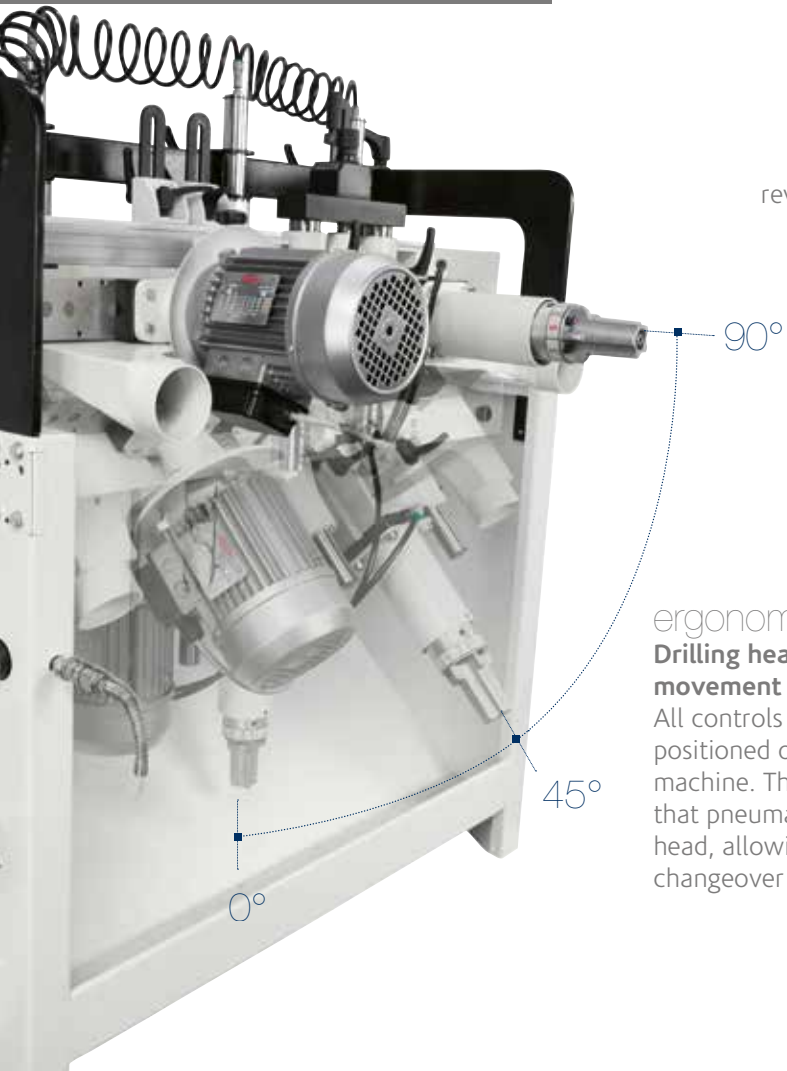
The machine is equipped with a mechanical revolver with 5 different boring depth adjustments.

very rapid set-up
Spindles with
quick-release fittings
Bits replaced quickly and easily.



ergonomics Drilling head movement

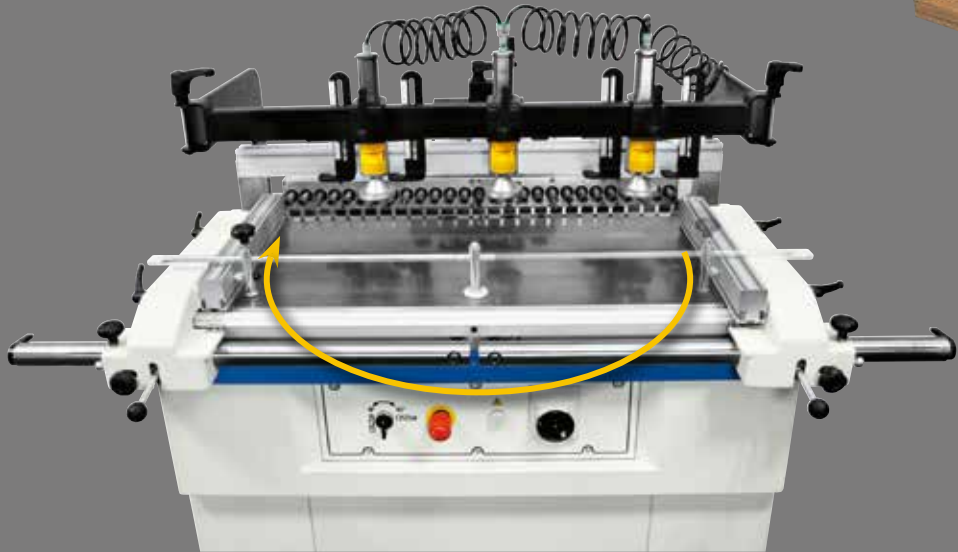
All controls are ergonomically positioned on the front of the machine. This includes the switch that pneumatically tilt the drilling head, allowing an immediate changeover between operations.



fast and precise positioning

Mechanical gauge

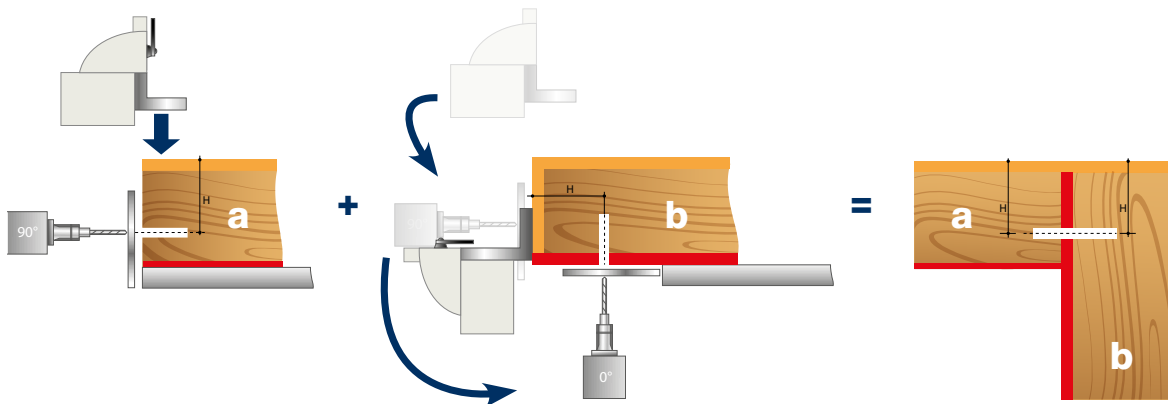
It guarantees fast and precise positioning of the lateral fences.



versatile, a wide choice of options, intelligent

3000 mm guide

For a perfect drilling even of large panels the machines are equipped with a 3000 mm length lateral guide, millimetered and with reversible stops, quickly installable/removed.



effective

"Invisible" imperfections

The drilling concept of startech machines allows to obtain an important advantage when assembling the furniture: the system, in fact, uses the outside (in sight) of the panel as a reference and thus **any differences in thickness are on the inside of the cabinet (non in sight).**



Cast iron guides with the nonius decimal scale and micrometric guides travel.

manual
drilling
machines
main
optional devices



Guide for horizontal drilling at 45°
Simple and effective.

Device for working narrow work pieces
Easy-to-use.



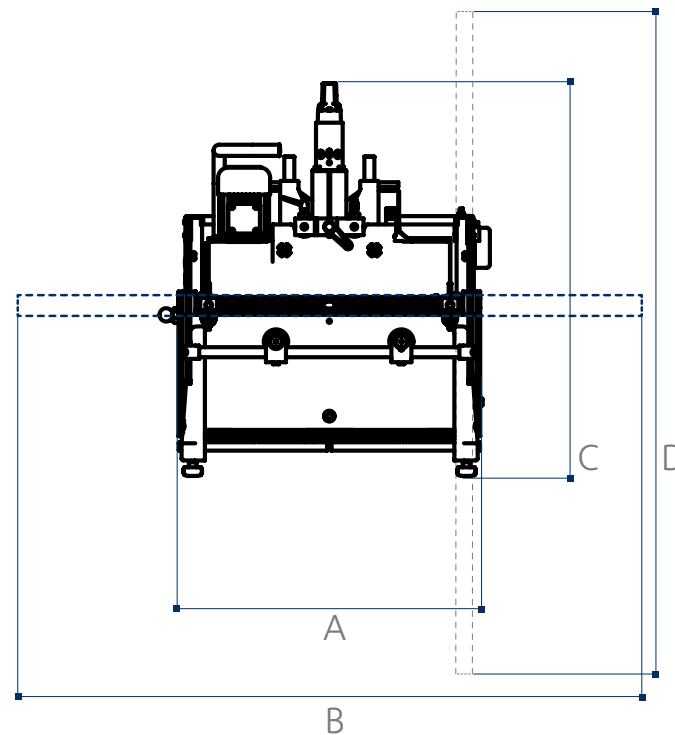
Groups for hinges
For increased versatility, the quick-change chucks can be fitted with various types of bits for different operations, like boring hinges locations.



	startech 27	startech 21
Pneumatic movement of the drilling head	S	O
Servo-assisted drilling unit down stroke speed adjustment	O	O
Guide for horizontal drilling at 45°	O	O
Device for working narrow work pieces	O	-
Groups for hinges	O	O

 Standard
 Option

manual drilling machines dimensions and technical data



		startech 27	startech 21
A	mm	1500	1000
B	mm	3000	3000
C	mm	1260	1150
D	mm	3000	3000

		startech 27	startech 21
Work table dimensions	mm	1096 x 407	905 x 372
Work table height	mm	900	900
Spindles	no.	27	21
Spindle speed (at 50 Hz)	rpm	2800	2800
Distance between spindles	mm	32	32
Maximum drilling inter-axis	mm	832	640
Maximum drilling head stroke	mm	70	70
Maximum horizontal drilling height	mm	60	60
Max. panel width under the "gantry structure"	mm	1025	833
Minn. ÷ max. panel thickness	mm	10 ÷ 85	10 ÷ 85
Max. tool diameter	mm	40	40
Other technical features			
Three-phase motors 1,8kW (2,5hp) 50Hz – 2,2kW (3hp) 60Hz		S	S
Pneumatic system operating pressure	bar	6	6
Compressed air consumption	Nl/cycle	3,5	3,5
Exhaust hood diameter			
- at the base	mm	120	80
- on the drilling head	mm	2 x 80	2 x 80



automatic planers and throughfeed moulders

Designed to be sturdy machines with high quality components to always ensure the very best performance.

automatic planers
and throughfeed moulders
profiset 60ep
profiset 60

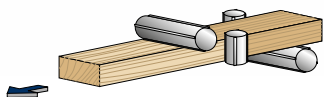
automatic
planers
profiset 40ep
profiset 40

automatic planers-
throughfeed
moulders
profiset 60ep
profiset 60

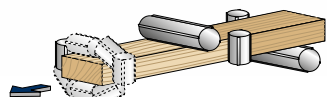


		profiset 60ep	profiset 60
Minimum working width (finished section)	mm	25 ÷ 15	25 ÷ 15
Maximum working width (finished section)	mm	230	230
Minimum working height (finished section)	mm	10	6
Maximum working height (finished section)	mm	120	120
Minimum length of single work piece comp. 4	mm	450 ÷ 430	450 ÷ 430
Minimum length of single work piece comp. 5	mm	630 ÷ 420	630 ÷ 420
Feed speed	m/min	5 ÷ 25	5 ÷ 25

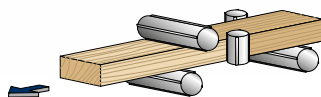
Find the complete technical specification at page 79



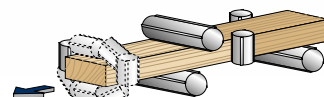
comp. 4



comp. 4 + universal spindle

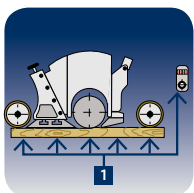


comp. 5



comp. 5 + universal spindle

Available in 4 different compositions: 4/5 spindles and the possibility to use the universal spindle in order to meet any profiling requirement.



"Setup"
maximum rapidity



Feeding device
productivity



Electronic Control
operational advantage

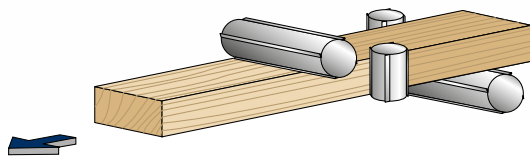
Versatile, safe and high performance.

automatic
planers
profiset 40ep
profiset 40



		profiset 40ep	profiset 40
Minimum working width (finished section)	mm	23	23
Maximum working width (finished section)	mm	180	180
Minimum working height (finished section)	mm	10	6
Maximum working height (finished section)	mm	105	105
Minimum length of single work piece	mm	300	300
Feed speed	m/min	6/12	6/12

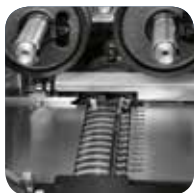
Find the complete technical specification at page 79



4 spindles machine composition with 10mm profiling capacity on the vertical spindles.



Lubrication
smooth movement



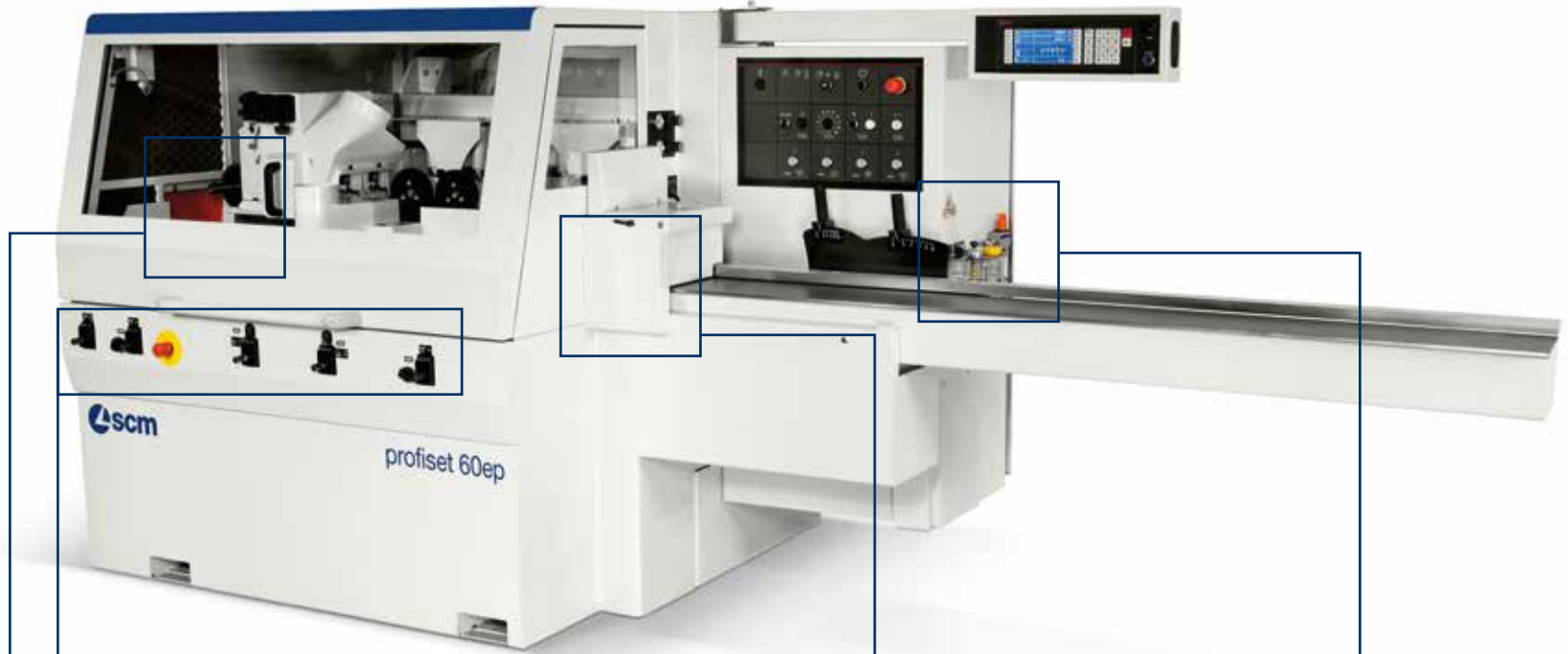
Reference Engraver
straightening system



Electronic Control
simple and effective

Maximum compactness with minimum overall dimensions to safeguard the essential space for the operator.

profiset operating groups

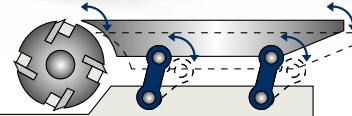


ergonomics and safety

Working units set-up

All controls are situated on the machine front with mechanical readout and decimal precision of the working section.

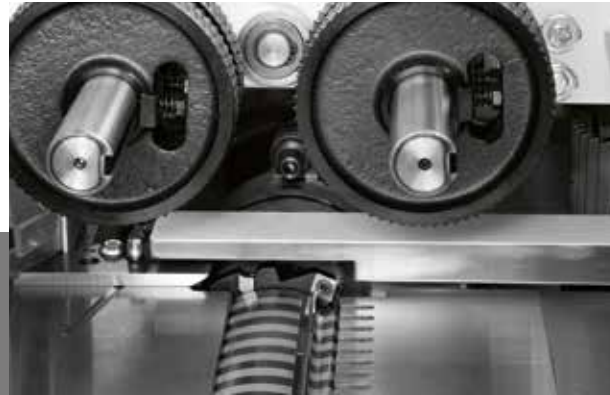
Infeed table and infeed right guide with transversal adjustment by means of a **parallelogram system** which ensures the best precision.



the best finishing

Idle roller placed the outfeed table

Typical feature of industrial level machines, it guarantees a very effective feeding.



perfect straightening

Reference engraver

The use of the reference engraver on the lower spindle ensures the optimal reference-guide of the workpiece to be machined.



smooth movement

Lubrication pump

The manual pump for the worktable lubrication positioned in the working area facilitates its use, assuring always the best smooth movement of the work piece.

productivity and improved finishing

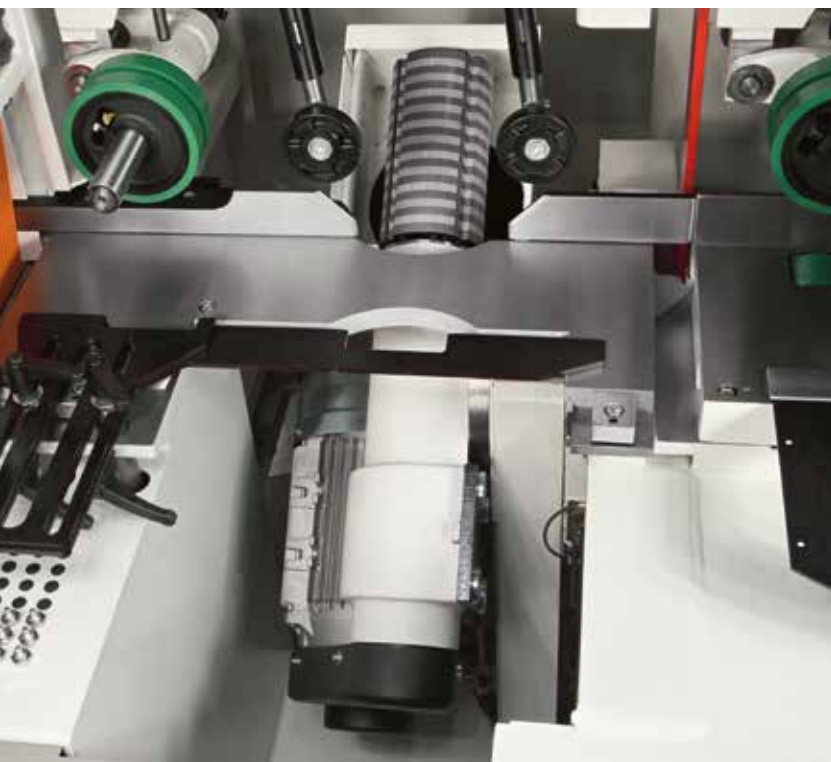
Optimum feeding

- Gears box drive and cardan joints
- Pneumatic working pressure on the feed rollers
- Inverter for the stepless speed adjustment from 5 to 25 m/min
(*profiset 60ep and profiset 60*)

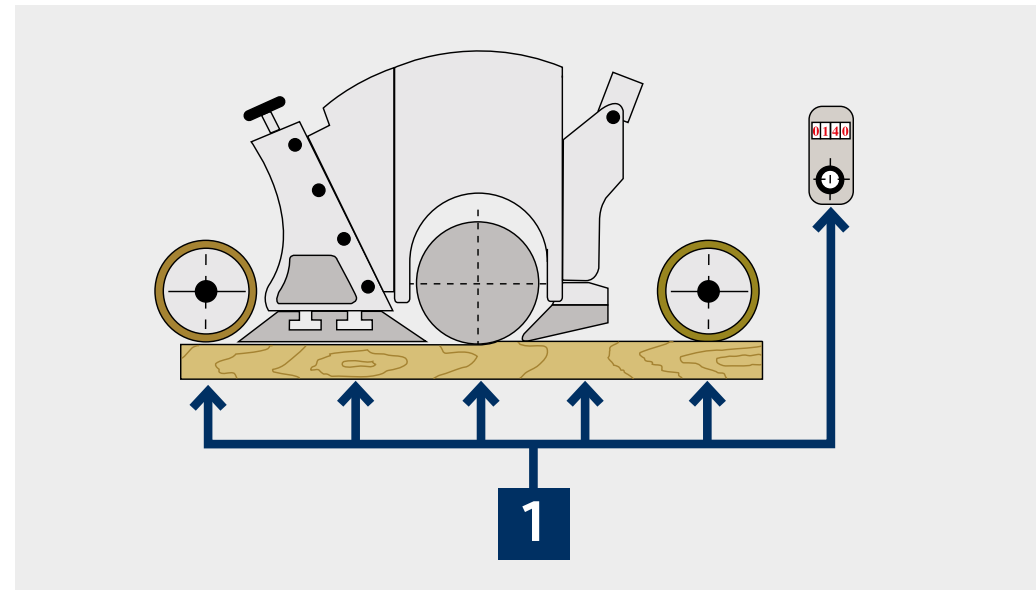


top flexibility Universal spindle

When the machine is equipped with the optional universal spindle it is possible to work the piece at 360°, thus obtaining even the most particular profiles, otherwise not obtainable with the other operating groups.
(*profiset 60ep and profiset 60*)



some examples



setting-up speed "Set-up"

The **SCM solution** allows a simple and rapid set up when changing tools as it has the minimum tool diameter as only reference. It is enough a **single adjustment to position all elements** (tool, working height, front and rear pressers, feeding rollers) and no idle retooling times.
(*profiset 60ep and profiset 60*)

profiset operating groups



working programming becomes simple and effective

“Ready” electronic control

- Automatic positioning control of left vertical spindle and top horizontal spindle
- Feed speed selection
- Mode: manual, semi-automatic and automatic with memory capacity up to 99 programs.
- Additional functions: calculator and hour counter (*profiset 40ep*)

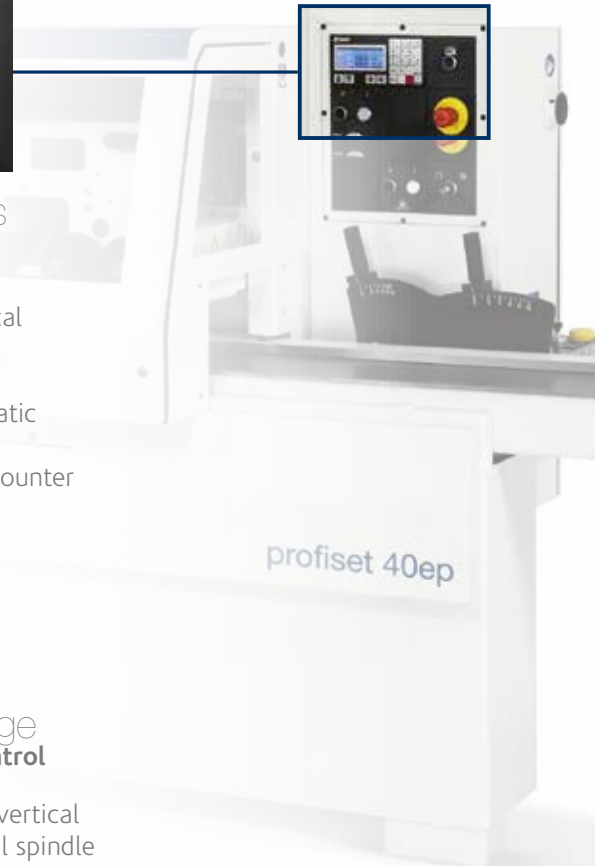


operational advantage “Easy Plus” electronic control from control panel

- Automatic control of left vertical spindle and upper horizontal spindle positioning.
- Feed speed selection
- 7" LCD colour display; 16:9 resolution
- Tools database with visualisation of tools picture
- Programs database with visualisation of tools picture and position (*profiset 60ep*)



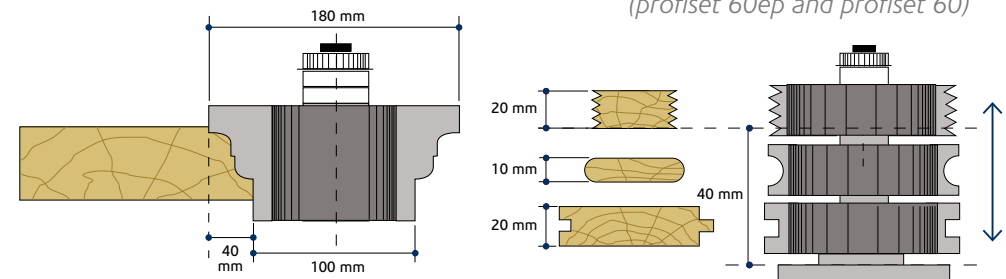
profiset dimensions and technical

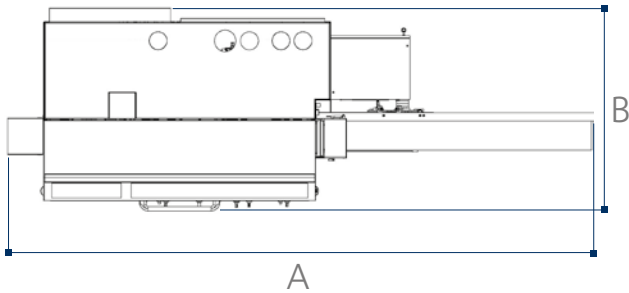


high performance available as standard

Profiling

The vertical spindles allow a profiling capacity of up to 40 mm and an axial adjustment of 40 mm to manage more profiles. (*profiset 60ep and profiset 60*)





		profiset 60ep/ profiset 60 comp. 4	profiset 60ep/ profiset 60 comp. 5	profiset 40ep/ profiset 40
A with 2000 mm infeed table without universal spindle		3410	3600	-
A with 2500 mm infeed table without universal spindle	mm	3910	4100	-
A with 2000 mm infeed table and universal spindle	mm	4125	4315	-
A with 2500 mm infeed table and universal spindle	mm	4625	4815	-
A with 1700 mm infeed table	mm	-	-	2855
A with 2300 mm infeed table	mm	-	-	3464
B without universal spindle	mm	1574	1574	1139
B with universal spindle	mm	1659	1659	-

		profiset 60ep	profiset 60	profiset 40ep	profiset 40
Minimum working width (finished section)	mm	25 ÷ 15	25 ÷ 15	23	23
Maximum working width (finished section)	mm	230	230	180	180
Minimum working height (finished section)	mm	10	6	10	6
Maximum working height (finished section)	mm	120	120	105	105
Minimum length of single work piece comp. 4	mm	450 ÷ 430	450 ÷ 430	300	300
Minimum length of single work piece comp. 5	mm	630 ÷ 420	630 ÷ 420	-	-
Feed speed	m/min	5 ÷ 25	5 ÷ 25	6/12	6/12
Spindles speed	rpm	6.000	6.000	6.000	6.000
Tool-holder shafts diameter	mm	40	40	35	35
Vertical spindle length	mm	140	140	120	120
Horizontal spindle length	mm	250	250	190	190
Universal spindle length (option)	mm	240	240	-	-
Axial adjustment of vertical spindles with respect to the worktable	mm	40	40	-	-
Axial adjustment of horizontal spindles with respect to the right fence	mm	40	40	-	-
Min./max. tool diameter on bottom horizontal spindle	mm	120/140	120/140	100/100	100/100
Min./max tool diameter on vertical spindles	mm	100/180	100/180	100/120	100/120
Max. profiling capacity on vertical spindles	mm	40	40	10	10
Min./max. tool diameter on top horizontal spindle	mm	125	125	100	100
Min./max. tool diameter on 2nd bottom horizontal spindles	mm	100/180	100/180	-	-
Profiling capacity with tool 180mm on 2nd bottom horizontal spindle	mm	15	15	-	-
Min./max. tool diameter on universal spindle (option)	mm	100/180	100/180	-	-
Feed rollers diameter	mm	140	140	120	120
Infeed table length	mm	2.000 ÷ 2.500	2.000 ÷ 2.500	1.700 ÷ 2.300	1.700 ÷ 2.300
Rapid adjustment of infeed table and fence	mm	10	10	10	10
other technical features					
Feeding motor power	kW (hp)	3 (4)	3 (4)	0,7/1,1 (1/1,5)	0,7/1,1 (1/1,5)
Motor power of bottom horizontal spindle	kW (hp)	4 (5,5) ÷ 5,5 (7,5)	4 (5,5) ÷ 5,5 (7,5)	7,5 (10)	7,5 (10)
Motor power of vertical spindles (single)	kW (hp)	5,5 (7,5) ÷ 11 (15)	5,5 (7,5) ÷ 11 (15)	7,5 (10)	7,5 (10)
Motor power of top horizontal spindle	kW (hp)	4 (5,5) ÷ 7,5 (10)	4 (5,5) ÷ 7,5 (10)	7,5 (10)	7,5 (10)
Motor power of the 2nd bottom horizontal spindle (comp. 5)	kW (hp)	4 (5,5) ÷ 5,5 (7,5)	4 (5,5) ÷ 5,5 (7,5)	-	-
Universal spindle motor power (option)	kW (hp)	4 (5,5) ÷ 7,5 (10)	4 (5,5) ÷ 7,5 (10)	-	-
Exhaust hoods diameter	mm	120	120	120	120
Exhaust hood for the top horizontal spindle diameter	mm	150	150	120	120

profiset main optional devices

"T-Set": rapid tool locking device

It ensures the locking/unlocking of tools simply through a gun with compressed air.



Feed units

- 1) Feed unit before horizontal bottom universal spindle
- 2) Kit of supplementary flanged feed rollers in front of left vertical spindle
- 3) Feed unit placed after top horizontal spindle
- 4) "Tandem" feed unit before universal spindle

1



2



3



4





maximum versatility
Kit for enabling profiling with the top spindle
 It includes no. 2 mechanical readouts with decimal precision.
 100/180 mm min./max. tool diameter. 40 mm axial stroke.

"Preset 25" tool diameter measurement device
 Centesimal accuracy and ease-of-use.

Vertical pressure with idle rollers placed in front of vertical spindles
 Effective in any situation.

- Standard
- Option

	■ Profiset 60ep	■ Profiset 60	■ Profiset 40ep	■ Profiset 40
Feed unit before universal spindle with exclusion lever	-	-	○	○
Feed unit before lower horizontal spindle with pneumatic exclusion	■	■	-	-
Vertical pressure for large work pieces placed in front of the vertical left spindle	-	-	○	○
Kit to allow the top spindle profiling	○	○	-	-
"T-Set" rapid tool locking	○	○	-	-
"Tandem" feed unit before universal spindle	○	○	-	-
Vertical pressure with idle rollers placed in front of the vertical spindle	○	○	-	-
Kit of supplementary flanged feed rollers in front of left vertical spindle	○	○	-	-
Automatic work table lubrication	○	-	-	-
Supplementary worktable with rexilon inserts	○	○	-	-
Front and rear pressure shoes on universal spindle hood	○	○	-	-
"Preset 25" tool diameter measurement device	○	○	-	-



automatic multiblade rip saw

High performance multiblade rip saw
designed to be really safe.

class m 3

automatic
multiblade
rip saw
class m 3



		class m 3
Max. saw blade diameter	mm	350
Saw blade sleeve diam. (blade bore)	mm	70
Max. width of blades pack	mm	300
Minimum work piece length	mm	390
Continuously adjustable feed belt speed	m/min	6 ÷ 48
Three-phase motor power starting from	kW/Hz	18,5 (22) / 50 (60)
<i>Find the complete technical specification at page 87</i>		



Bars
ease-of-use and safety



Feed Belt
precise and effective



Saw Blade Shaft Sleeve
rapidity and effectiveness

Practical, accurate,
reliable and above all safe.

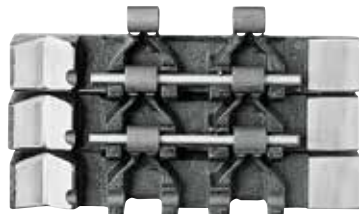
class m 3 operating groups



ease of use and safety

Anti-kickback finger barriers

The SCM multiblade rip saw is equipped with 4 anti-kickback finger barriers: three top and one bottom and a chip deflector screen between the three top barriers.



precise and reliable

Feed belt

The class m3 has an extremely substantial feed belt which is directly driven through its robust belt links. Unwanted movement of saw blade shaft sleeve is prevented by the aggressive surface of the feed belt and the 4 pressure rollers (2 in front and 2 behind the blades). These advanced features ensure maximum straightening and excellent cutting quality, minimizing the quantity of stock removal in successive machining.



practical and easy to use

Set up

Setting up operations can be carried out rapidly: the adjustment of spindle, pressure rollers and feed speed is carried out by hand wheels according to graduated scale and direct reading. The infeed fence is fitted with self-locking lever which can be operated single-handed. The centralized control panel is equipped with ammeter to enable operator to obtain maximum output without motor stress.



quick and effective

Saw blade shaft sleeve

It can be quickly fitted into spindle and easily locked with a special key. The conical coupling of the saw blade shaft sleeve with the base of spindle ensures longer blade life and higher output.

Laser

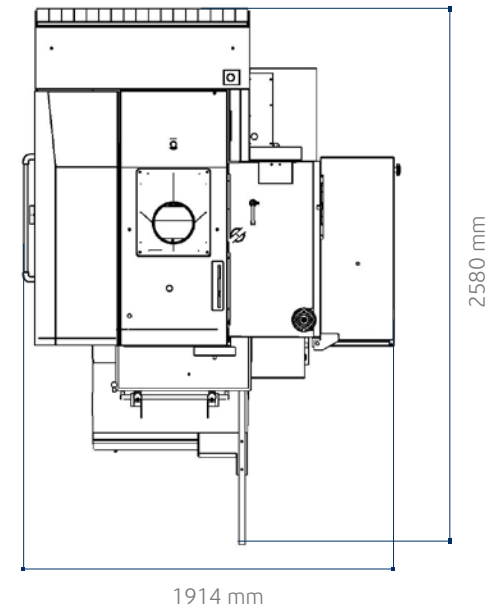
Laser beam cutting line reference.

Some typical uses:

- extraction of irregular planks, without using fences
- selection of clear parts of planks with knots and fissures (option).



class m 3 dimensions and technical data



- ☒ Standard
- ☐ Option

		class m 3
Max. saw blade diameter	mm	350
Min. saw blade diameter	mm	200
Saw blade sleeve diam. (blade bore)	mm	70
Keys dimensions on the saw blade sleeve	mm	20 x 5
Blades rotation speed	rpm	4200
Max. width of blades pack	mm	300
Feed belt width	mm	300
Minimum work piece length	mm	390
Work table dimensions	mm	1530 x 950
Worktable height from floor	mm	750
Distance between base and first blade on right part	mm	200
Continuously adjustable feed belt speed	m/min	6 ÷ 48
other technical features		
Three-phase motor 18,5 kW (25 hp) 50 Hz - 22 kW (30 hp) 60 Hz		S
Three-phase motor 25 kW (30 hp) 50 Hz - 30 kW (42 hp) 60 Hz		O
Three-phase motor 37 kW (50 hp) 50 Hz - 44 kW (60 hp) 60 Hz		O
Feed belt motor power at 50 Hz (a 60 Hz)	hp	1,5 ÷ 2 (1,8 ÷ 2,4)
Exhaust hoods diameter:		
- for blades	mm	200
- for feed belt	mm	120



automatic tenoning machine

Automatic tenoning machine with rapid
tool change with ISO 40 system

class ten 220

automatic tenoning machine class ten 220



		class ten 220
Max. tool diameter	mm	350
Max. blade diameter	mm	400
Min./max. work piece height	mm	20 ÷ 120
Work piece width with straight tenon	mm	220 ÷ 400
Min./max. work piece length	mm	140 ÷ 2800
Three-phase motor (tenoning machine) starting from	kW/Hz	7,5 (8,5) / 50 (60)
Three-phase motor (circular saw) starting from	kW/Hz	3 (4) / 50 (60)
<i>Find the complete technical specification at page 93</i>		



ISO 40 System
rapid set up



Circular Saw Unit
maximum effectiveness



Dedicated Devices
productivity and flexibility

Rapidity and precision: machine always ready to be used.

class ten 220 operating units

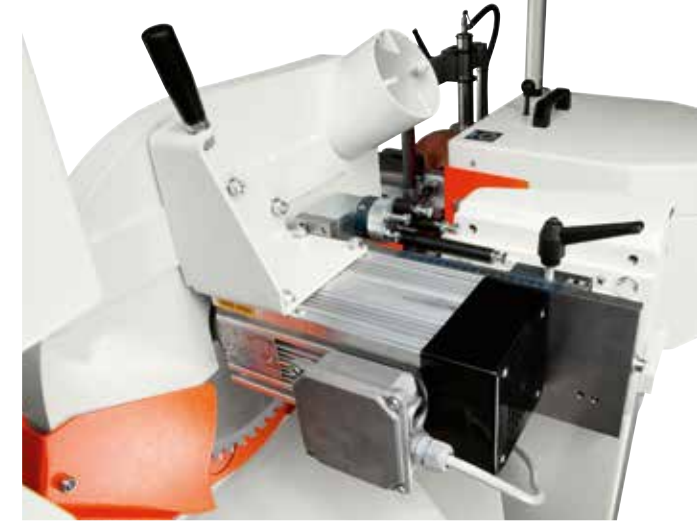


Rapid set-up

Machine set-up

Thanks to a **rapid tool-change with ISO 40** as used on the CNC machining centres it is possible to obtain:

- tools always ready on the relevant shafts, in the tool holder on machine board
- in few seconds tools adjusted and ready to be used

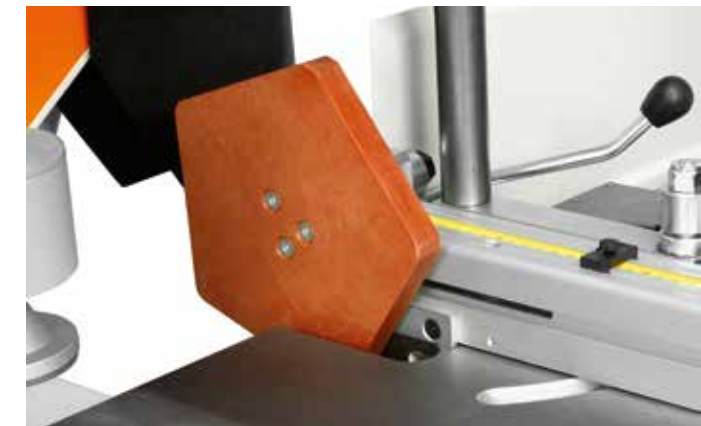


Simple adjustment

Revolver

The tenon depth is adjusted through the practical 5-position revolver positioned on the circular saw unit. With the revolver positioned on the work piece support table it is possible the correct table positioning with reference to the tool diameter.

6-positions
tool holder on
machine board



perfect tenoning operations

Thanks to the rotating chipbreaker with 5 turret stops, easy to be replaced.

class ten 220

main
optional
devices



Two work pieces machining device

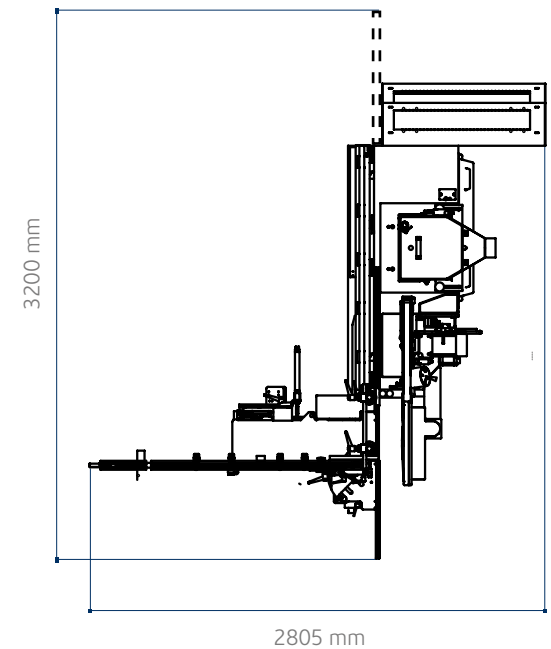
It allows the simultaneous machining of two tenons with a 50% of saving time.

Implementation of wide work pieces

For the machining (without saw unit) of pieces up to 400 mm wide.

class ten 220

dimensions
and
technical
tables



- Standard
- Option

		class ten 220
tool-holder shaft		
Max. tool diameter	mm	350
Tool rotating speed	rpm	3600
ISO 40 rapid tool-change		S
circular saw unit		
Max. blade diameter	mm	400
Blade rotating speed	rpm	3000
Saw blade horizontal stroke	mm	120
Self-braking motor power on circular saw unit	kW	3
work piece support table		
Work table stroke toward the tool	mm	105
Tilting fence with stops on the table		-45° ÷ +45°
Extensible stop up to	mm	2800
other technical features		
Three-phase motor 7,5 kW (10 hp) 50 Hz - 8,6 kW (11,5 hp) 60 Hz		S
Three-phase motor 11 kW (15 hp) 50 Hz		O
2-speed three-phase motor 3600/7200 rpm 7,4/9,2 kW (10/12,5 hp) 50 Hz		O
2-speed three-phase motor 3600/7200 rpm 8,6/11,3 kW (11,5/15 hp) 60 Hz		O
Exhaust hoods diameter	mm	120
Compressed air	bar	6



The motor powers in this catalogue are expressed in S6, except where otherwise specified. In this catalogue, machines are shown in CE configuration and with options. We reserve the right to modify technical specifications without prior notice, provided that such modifications do not affect safety as per CE norms.

rev.00
05/2018

Komma
Mic Studio



PROMPT AND EXPERT
TECHNICAL SUPPORT
THROUGH A NETWORK OF 1000
TECHNICIANS AND AN INVENTORY
OF 36,000 SPARE PARTS.

HIGHLY SPECIALISED TECHNICIANS, EFFICIENT
MANAGEMENT AND 6 SPARE PARTS BRANCHES
AROUND THE WORLD GUARANTEE A CLOSE,
SAFE AND EFFECTIVE TECHNICAL SUPPORT.



SERVICE

SCM provides a service that goes beyond the purchase, to guarantee the long term performance of your technological production system and peace of mind for your business.

A COMPLETE RANGE OF AFTER-SALES SERVICES

- installation and start-up of machines, cells, lines and systems
- tailored training programs
- telephone support to reduce times and costs when machines are not working
- preventive maintenance programs to guarantee long term performance
- complete renovation of machines and plants to renew the added value of the investments
- custom upgrading to update machines and plants and meet new production requirements

 **scmservice**

SPARE PARTS

SCM Group can count on 140 spare parts professionals worldwide to meet any request with real time shipments.



36,000 SPARE PARTS

Our spare parts inventory, with a value of 12 million euros, covers every single machine



SPARE PARTS GUARANTEED

We guarantee also hard to find parts, with 3,5 million euros invested in "critical" spare parts.



IMMEDIATE AVAILABILITY

Over 90% of orders received are carried out the same day thanks to the huge inventory available.



6 BRANCHES AROUND THE WORLD

The spare parts service can count on worldwide support (Rimini, Singapore, Shenzhen, Moscow, Atlanta, São Bento do Sul)



500 SHIPMENTS A DAY

 **scmspareparts**





THE STRONGEST WOOD TECHNOLOGIES ARE IN OUR DNA

SCM. A HERITAGE OF SKILLS IN A UNIQUE BRAND

Over 65 years of success gives SCM the centre stage in woodworking technology. This heritage results from bringing together the best know-how in machining and systems for wood-based manufacturing. SCM is present all over the world, brought to you by the widest distribution network in the industry.

65 years history

3 main production sites in Italy

300.000 square metres of production space

17.000 machines manufactured per year

90% export

20 foreign branches

350 agents and dealers

500 support technicians

500 registered patents

In SCM's DNA also strength and solidity of a great Group. The SCM Group is a world leader, manufacturing industrial equipment and components for machining the widest range of materials.

SCM GROUP, A HIGHLY SKILLED TEAM EXPERT IN INDUSTRIAL MACHINES AND COMPONENTS

INDUSTRIAL MACHINERY

Stand-alone machines, integrated systems and services dedicated to processing a wide range of materials.



WOODWORKING TECHNOLOGIES



TECHNOLOGIES FOR PROCESSING COMPOSITE MATERIALS, ALUMINIUM, PLASTIC, GLASS, STONE, METAL

INDUSTRIAL COMPONENTS

Technological components for the Group's machines and systems, for those of third-parties and the machinery industry.



SPINDLES AND TECHNOLOGICAL COMPONENTS



ELECTRIC PANELS



METALWORK



CAST IRON



